



# EVERYWHERE MAGIC.

SENSORY FITTINGS  
IN PUBLIC AREAS.



# WE TAKE RESPONSIBILITY FOR THESE: IN FULL PUBLIC VIEW.

## ULTRA-HIGH QUALITY (OF LIFE)

Hansa supplies the best quality on the market: This is the commitment that we set ourselves – and the standard by which you measure us. We meet this standard with both passion and purpose: with products of exceptional quality that are long-lasting and reliable. And with services that support you and exceed your expectations. In this way, everything we do is focused on improving the quality that you value most: quality of life.







## AS MODERN AS YOUR ASPIRATIONS

For us, being a modern brand means seeing the future as something that begins today. By thinking and acting in line with the times, we continuously develop new, innovative solutions. Our goal is to provide products time and again with a high practical and aesthetic value that always meet your needs better than before.

## MINIMISING THE ENVIRONMENTAL FOOTPRINT – MAXIMISING THE FEEL-GOOD FACTOR

We make sure that you can use and enjoy water every day at home with a good feeling – be it in the bathroom or in the kitchen. The latest technologies guarantee optimum drinking water hygiene and offer exceptional safety. Above all, however, we help you conserve water and energy. With environmentally-compatible products, we want to play our part in keeping the ecological footprint as small as possible – and leaving only positive impressions.

# WE TREASURE WHAT INSPIRES US. INTRINSICALLY. **SUSTAINABLY.** FOR MORE THAN 100 YEARS.

## SUCCESS FOUNDED ON TRADITION

Hansa has been active in this field for more than 100 years and is one of the leading companies in the industry. Success over such a long period is no coincidence, but rather the result of commitment, experience and consistently sustainable company development.

## GREEN RESPONSIBILITY

The 'Green Responsibility' label guarantees modern, ecologically sound Hansa technology, ensuring minimal usage of water and energy and adherence to strict international guidelines.



## RESPONSIBILITY AND RESPECT

Hansa only works with high-grade, durable materials, such as highly dezincification-resistant and corrosion-resistant brass, plastics with the German KTW certification for drinking water and the WATER SAFE Hitec functional core. To preserve drinking water quality, the surface finishes of all washbasin and sink fittings coming into contact with drinking water are not nickel-coated. Products with the HANSAPROTEC system additionally signify that all brass components coming into contact with drinking water have a minimal lead content of less than 0.3%. The HANSAPROTEC system achieves a level of safety that goes far beyond the legal requirements – ensuring clean water and pure enjoyment.



## INNOVATIONS FOR MORE COMFORT

Hansa is one of the trendsetters in the industry. Modern materials, progressive concepts for concealed and exposed products, new technical solutions that help to save water and energy: Time and time again, we have been the first to launch important innovations. Hansa holds numerous national and international patents. This is further proof of the sustainable force behind our company – for the past 100 years, today and in the future.

## SUSTAINABILITY AS A COMPANY PRINCIPLE

We feel a special sense of responsibility for the precious resources that we work with every day. The basic principle of sustainability has always influenced our way of thinking and working, as well as all our products and production processes. We do not focus on individual steps, but rather on cycles, and always have the entire life cycle of a product in mind. We attach great importance to timeless designs that have their own style and do not follow the latest trends.







WHEN IT COMES TO  
SENSORY FITTINGS,  
**EVERYONE AGREES.**



Owners, architects, planners, retailers, workmen and users – when it comes to sensory fittings in public areas, the verdict has long since been unanimous. Its triumphant progress began in the public sphere, where the arguments in favour of the innovative technology were obvious. Here in particular, washbasin mixers and washing systems are subjected to significant stresses. The high level of use goes hand-in-hand with the desire to offer guests an attractive space equipped with suitable technology.

When selecting fittings, operators focus first and foremost on economic efficiency. Water and energy savings, hygiene, convenience and low maintenance ensure that the investment pays for itself in a very short time. For this reason, fittings that function using sensory technology are the first choice in swimming pools and sports facilities, restaurants and hotels, event and recreational facilities as well as in airports, railway stations or motorway services. However, they are also popular choices in private households and this trend is increasing. The modern Hansa designer fittings expands the range of products on offer here.

# KEEPING HANDS FREE FOR IMPORTANT THINGS.

Naturally, it feels great when things work by themselves. So it goes without saying that sensory fittings really do make life easier, more convenient and more enjoyable. Most recently, a specially commissioned study by the Fraunhofer Institute confirmed that users intuitively understand and appreciate sensor-controlled fittings.

## SAVE WATER. WITH CERTAINTY.

Water is often allowed to run for longer than necessary. Not just when we brush our teeth, wash our hands or while shaving. In public areas, for every manually operated fitting there is a risk of being turned on for too long. This can be due to carelessness, or may even be deliberately done. Children or elderly people are particularly prone to running the water significantly longer than is really necessary. Sensory fittings lower this continuous running risk to zero.

## MORE HYGIENE. LESS CLEANING.

Wherever there is water, the focus is frequently on hygiene. Since there is no need to touch the fitting, it remains largely free of fingerprints or water drip marks. Given the strict requirements and at times intensive use of the fittings in public areas, sensory fittings make an important contribution to lasting cleanliness. They measurably reduce the amount of cleaning required and, ultimately, the running costs.



## FOR YOUNG AND OLD AND EVERYONE IN BETWEEN.

Restricting the flow of water to the level that is actually required contributes significantly to limiting day-to-day costs of water consumption and energy. The pre-set temperature ensures comfortable water usage. This simplification is particularly appealing to children and the elderly. The positive attitude of these user groups was also confirmed by the Fraunhofer Institute study.







**GOOD DESIGN,  
SMART AND ELEGANT.**  
They attract the eyes, not just the hands. Attractive designer fittings that function using sensors are available in a range of attractive variants. They fit seamlessly perfectly into modern and design-oriented bathrooms and kitchens. In guest areas, especially guest toilets, these elegant fittings have long been a hallmark of good taste. They also set new standards.



#### THE SENSOR: INTEGRATED INTELLIGENCE.

Patented PSD technology in the sensor allows the fitting to respond to the user's hand and its position in the room. PSD technology measures the angle of deflected light and is therefore far superior to conventional infra-red sensors, which can only detect reflected light. PSD technology functions much more reliably because interference caused by drips, reflections or reflective surface finishes are excluded. With a tolerance of 5%, PSD sensors operate virtually free of interference compared with conventional sensors, which achieve 50% tolerance. In addition, it does not require calibration when installed.

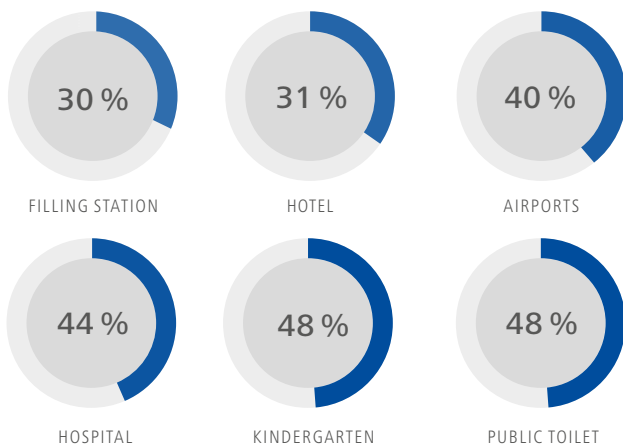
# DESIGN FOR THE PUBLIC. OPTIMISED FOR OWNERS.

Sensory fittings are currently in vogue and are on the advance everywhere. In hotels, restaurants and public facilities, they are already considered the height of good taste. They make life easier in nursing homes and healthcare facilities. Along with HANSA, they are now also conquering domestic bathrooms and kitchens – either as fully contactless fittings – or hybrid solutions offering the choice of manual and sensory operation. With the elegant and sensor-controlled fittings on the following pages, HANSA presents a special kind of magic – everywhere. You and your customers have the choice.

## ECONOMIC EFFICIENCY

Responsibility for resources and planning security for the client's budget are undoubtedly the strongest arguments in favour of sensory fittings. Hansa recognised this early on – and offers a wide variety of product solutions in this segment that help to lower costs. The effect has been documented in various studies.

### WATER SAVINGS OF SENSORY FITTINGS COMPARED WITH SINGLE LEVER MIXERS\*



\* Source: Oras Target Groups – Long-Term Study

### ANALYSIS PROVES: SENSORY FITTINGS CONSERVE RESOURCES.

In the property sector, operating costs are naturally the focus of attention. The savings that can be achieved with sensory fittings are in some cases enormous and range – depending on their place of use – between 30 and 48%. In this context, they adhere to the principle whereby the more frequently they are used, the greater the savings achieved. Careless operation of the fitting or forgetting to turn off the water flow are now eliminated by definition. What is more, sensory fitting are only slightly more expensive than their manually operated counterparts.



## HYGIENE SAFETY

The variants featuring forced flushing assure maximum safety wherever the highest hygiene demands must be met: if the fitting is not used for 72 hours, an automatic 30-second rinse flushes away any stagnant water the next time it is turned on. This helps keep the water system in circulation, prevents bacteria and germs from multiplying and rinses them out automatically.

## RELIABILITY

Hansa's high-quality fittings are carefully conceived down to the smallest detail, designed according to the latest technical knowledge and manufactured to deliver sustainability and durability. A 2-year warranty underscores the operational reliability of the fittings and gives operators peace of mind with regard to planning. In addition, Hansa guarantees the availability of spare parts for 10 years after a series goes out of production.

## GUIDELINE CONFORMITY

Certain sectors demand strict hygiene standards. Examples include the care sector, in hospitals and rehabilitation clinics, or the meat-processing industry. Many Hansa fittings take into account the strict guidelines for these types of use and are therefore ideal for every application area.

## VANDAL-RESISTANT

With their robust construction and carefully thought-out technologies, Hansa fittings are exceptionally durable. The perlator on some fittings is designed to be resistant to theft. If the sensor is blocked by a foreign object, the fitting switches off automatically to avoid wasting water.



# HANSAELECTRA: LOVES TO BE SEEN IN PUBLIC.

The HANSAELECTRA range of fittings was designed by Hansa specifically to cope with the demands of public areas. Multiple design variations are available, which means that planners and designers can choose a suitable model variant for every location: fittings with clean or harmonious lines, for pre-tempered water or converted to cold-water use, battery-operated or with a mains connection – HANSAELECTRA covers a broad spectrum.

## TECHNICALLY THOUGHT OUT

- For battery-powered operation, a standard 6 V lithium battery that lasts approx. 3 years is used.
- A red indicator light signals that the battery should be replaced soon. Replacement is easy.
- Up to five fittings can be connected to a Hansa concealed power supply.
- Configuration and maintenance using the Hansa app. Starting in April 2017, it will be possible to configure and maintain certain fittings from the HANSAELECTRA series individually from a smartphone or tablet (via Bluetooth connection).

Style comes as standard: HANSAELECTRA impresses with an organic design language



The optional elevated socket adds 14 cm to the height of the fitting – providing even more room for hands and enhanced flexibility



Attractive alternatives:  
HANSAELECTRA displays  
clean edges

Functional elegance –  
this HANSAELECTRA  
variant also impresses



The PSD technology uses angle measurements to accurately determine the position of the hands in the room

## SENSORY WALL-MOUNTED FITTINGS

The proven solution in public buildings:  
**HANSAELECTRA** on the wall.

The clear, concise shape impresses and offers maximum convenience. From the outside, you will never guess the clever solutions that are hidden inside. The advanced PSD sensor is integrated in the spout. **HANSAELECTRA** is suitable for cold-water or pre-tempered water connections, the surface finishes coming into contact with water are not nickel-coated, a laminar water stream minimises the spread of micro-organisms, while automatic sanitation rinsing is also available on request.

Aesthetic Clarity. Ideal for installation in rows

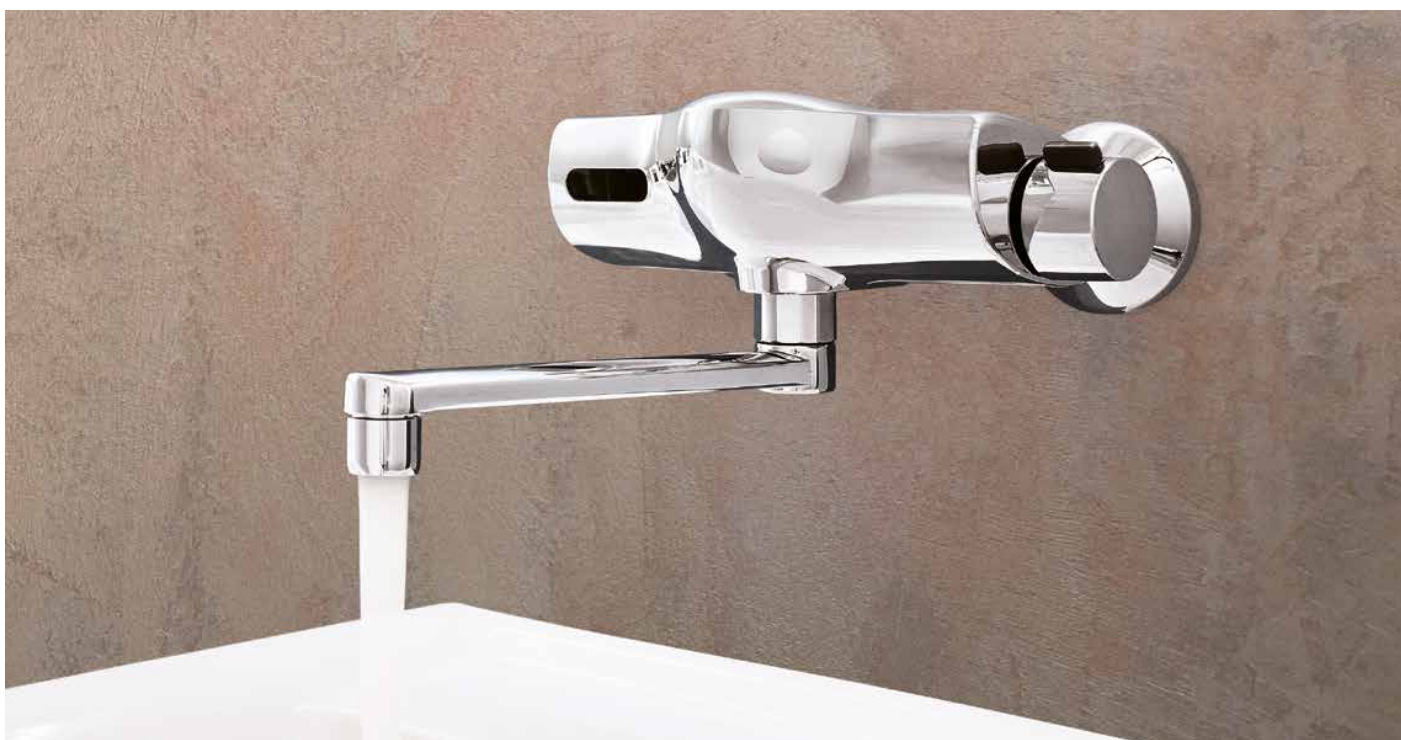






The HANSAELECTRA series now also includes this new battery-powered fitting for wall-mounting, which can be installed with the HANSABLUEBOX concealed system. Also available is a variant with temperature mixing and a model for cold-water or pre-tempered connections, each with three different spout lengths.

HANSAELECTRA with a swivelling spout – convenient and hygienic. It is available in two lengths: with 190 mm and 290 mm projection. They can also be interchanged after installation





# AN UPGRADE FOR ALL PUBLIC SHOWER ROOMS.

## HANSAELECTRA ALUMINIUM SHOWER PANEL

In shower facilities, in sports and fitness centres and in the wellness sector, high energy and water consumption present an enormous challenge. Sensor-controlled fittings with adjustable intervals and variable thermostats are the ideal solution and offer numerous advantages: Users will appreciate the high level of comfort and can keep both hands free for easier showering. Operators will be delighted with the reduced consumption of water and energy. Operation with the help of long-lasting batteries minimises the amount of installation work required.



The concealed HANSABLUEBOX function unit with the round trim kit for the HANSAELECTRA shower fitting



The rectangular trim kit from the HANSAELECTRA series

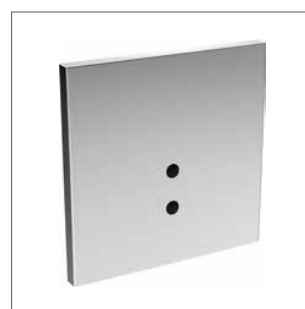
An ideal space-saving alternative in combination with a shower head

# GOOD-LOOKING, AND PERFECTLY FUNCTIONAL FOR PUBLIC URINALS.

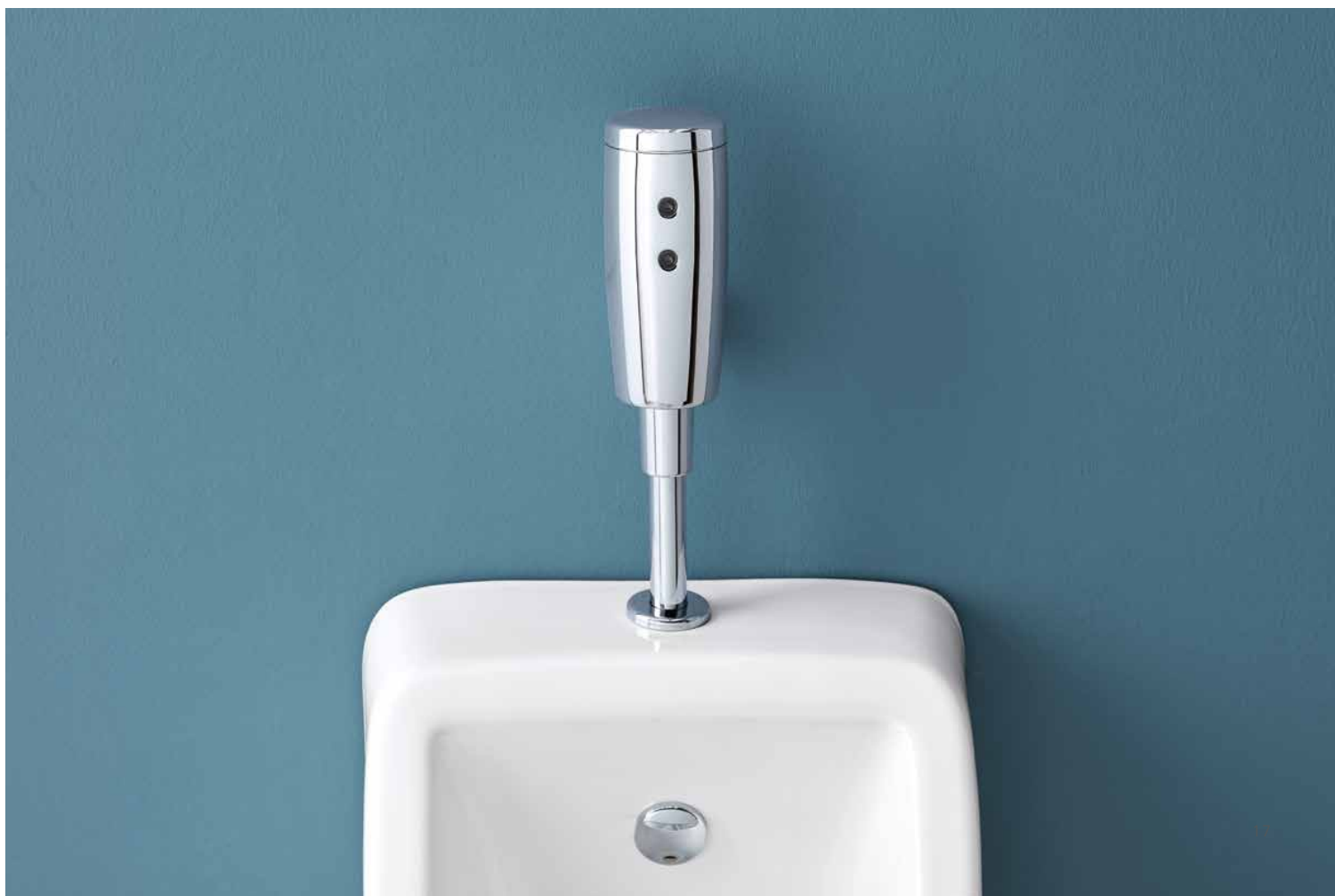
## HANSAELECTRA URINAL

Definitively the cleanest of all solutions in public urinals: The sensor-controlled technology is also proven in toilet rooms. The infrared technology reacts to the movements of the user. The technology hidden behind the tiles guarantees maximum comfort. There is no need to touch anything. The room atmosphere is fresh at all times. To further enhance the perceptible comfort, the control unit can be configured to perform mandatory pre-flushing.

Thanks to its standard connections, the battery-powered exposed urinal control unit is also ideal for retrofitting

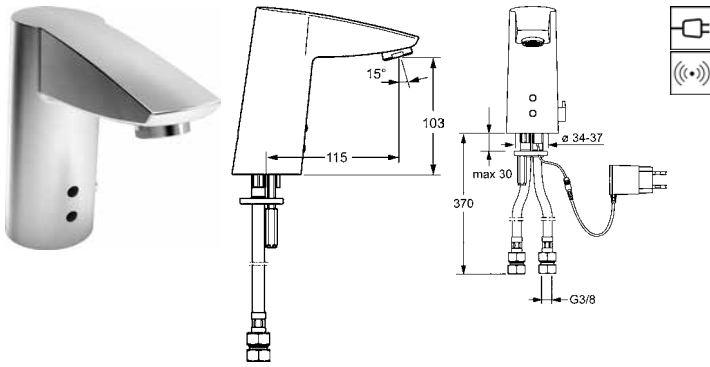


Concealed variants featuring mains as well as battery power are also available





# PRODUCT OVERVIEW



**HANSAELECTRA**  
**electronic basin mixer,**  
**DN 15, mains supply**  
 sensory operation (infrared)

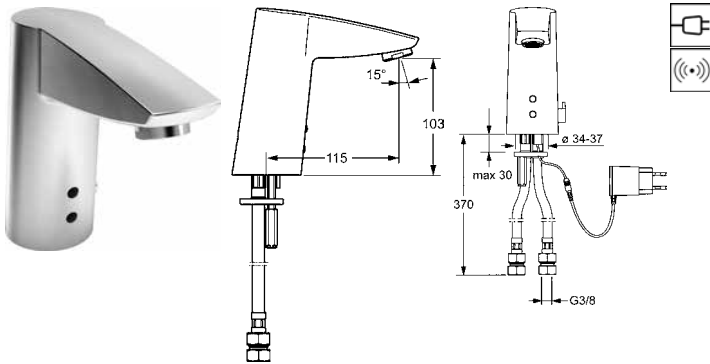
**Item-No.**  
 chrome  
**6491 2010**

P-IX (submitted)  
 flow rate: 6 l/min, at 3 bar hydraulic pressure

- Fitting body: brass
- sensor parameters at factory optimally preset
- no forced flushing
- without pop-up waste
- connection with flexible pressure hoses
- mains supply 230 V/50-60 Hz, operating voltage 12 V
- power supply cable 1500 mm in length

projection: 115 mm

operative voltage 12 V DC  
 alternative: suitable power supply 64990100  
 please order separately  
 Push-pop-up waste 59913988 can be ordered separately



**HANSAELECTRA**  
**electronic basin mixer,**  
**DN 15, mains supply**  
 sensory operation (infrared)

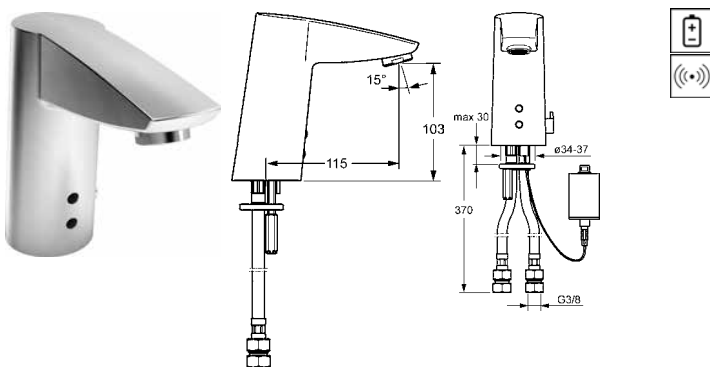
**Item-No.**  
 chrome  
**6491 2011**

P-IX (submitted)  
 flow rate: 6 l/min, at 3 bar hydraulic pressure

- Fitting body: brass
- sensor parameters at factory optimally preset
- hygienic flush after 72 h for 30 sec at factory preset
- without pop-up waste
- connection with flexible pressure hoses
- mains supply 230 V/50-60 Hz, operating voltage 12 V
- power supply cable 1500 mm in length

projection: 115 mm

operative voltage 12 V DC  
 alternative: suitable power supply 64990100  
 please order separately  
 Push-pop-up waste 59913988 can be ordered separately



**HANSAELECTRA**  
**electronic basin mixer,**  
**DN 15, battery-operated**  
 sensory operation (infrared)

**Item-No.**  
 chrome  
**6491 2210**

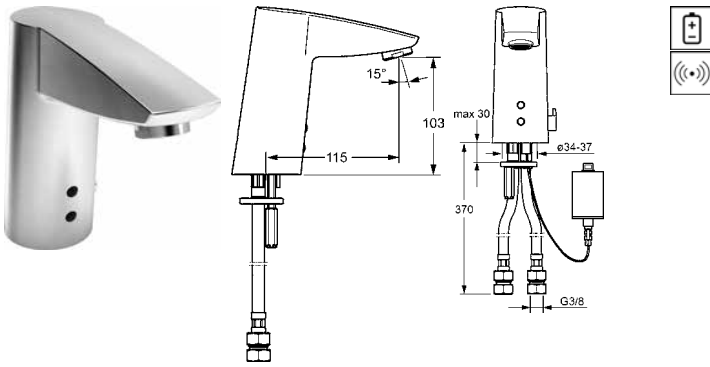
P-IX (submitted)  
 flow rate: 6 l/min, at 3 bar hydraulic pressure

- Fitting body: brass
- adjustable mix water temperature
- sensor parameters at factory optimally preset
- no forced flushing
- without pop-up waste
- connection with flexible pressure hoses

projection: 115 mm

Push-pop-up waste 59913988 can be ordered separately

# PRODUCT OVERVIEW



**HANSAELECTRA**  
**electronic basin mixer,**  
**DN 15, battery-operated**  
 sensory operation (infrared)

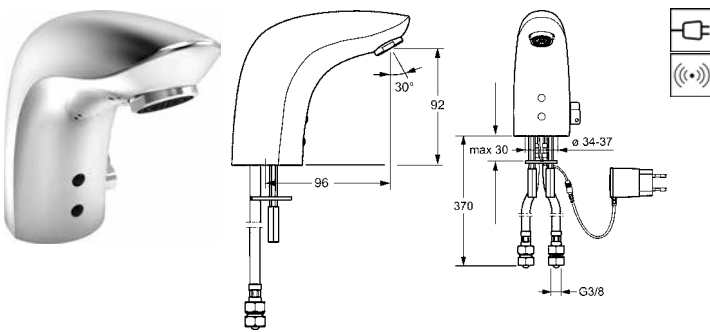
**Item-No.**  
 chrome  
**6491 2211**

P-IX (submitted)  
 flow rate: 6 l/min, at 3 bar hydraulic pressure

- Fitting body: brass
- adjustable mix water temperature
- sensor parameters at factory optimally preset
- hygienic flush after 72 h for 30 sec at factory preset
- without pop-up waste
- connection with flexible pressure hoses

projection: 115 mm

Push-pop-up waste 59913988 can be ordered separately



**HANSAELECTRA**  
**electronic basin mixer,**  
**DN 15, mains supply**  
 sensory operation (infrared)

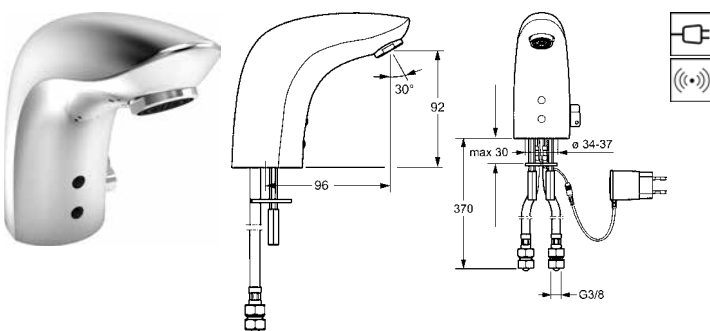
**Item-No.**  
 chrome  
**6441 2000**

P-IX (submitted)  
 flow rate: 6 l/min, at 3 bar hydraulic pressure

- Fitting body: brass
- convertible for cold water
- accessories included in delivery
- sensor parameters at factory optimally preset
- no forced flushing
- without pop-up waste
- connection with flexible pressure hoses
- mains supply 230 V/50-60 Hz, operating voltage 12 V
- power supply cable 1500 mm in length

projection: 96 mm

Push-pop-up waste 59913988 can be ordered separately  
 operative voltage 12 V DC  
 alternative: suitable power supply 64990100 please order separately



**HANSAELECTRA**  
**electronic basin mixer,**  
**DN 15, mains supply**  
 sensory operation (infrared)

**Item-No.**  
 chrome  
**6441 2001**

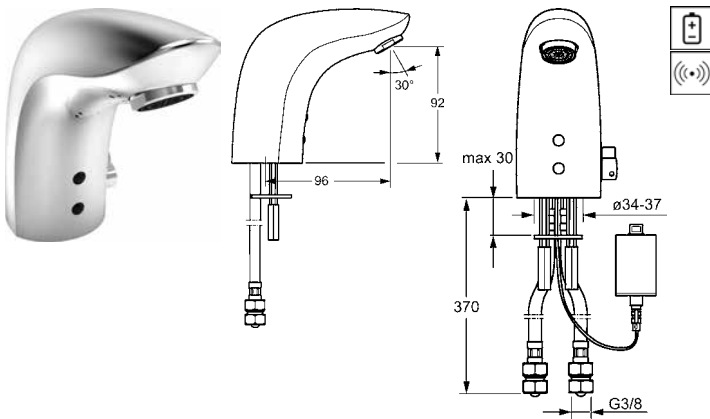
P-IX (submitted)  
 flow rate: 6 l/min, at 3 bar hydraulic pressure

- Fitting body: brass
- convertible for cold- and premixed-water
- accessories included in delivery
- sensor parameters at factory optimally preset
- hygienic flush after 72 h for 30 sec at factory preset
- without pop-up waste
- connection with flexible pressure hoses
- mains supply 230 V/50-60 Hz, operating voltage 12 V
- power supply cable 1500 mm in length

projection: 96 mm

Push-pop-up waste 59913988 can be ordered separately  
 operative voltage 12 V DC  
 alternative: suitable power supply 64990100 please order separately

# PRODUCT OVERVIEW



**HANSAELECTRA**  
**electronic basin mixer,**  
**DN 15, battery-operated**  
 sensory operation (infrared)

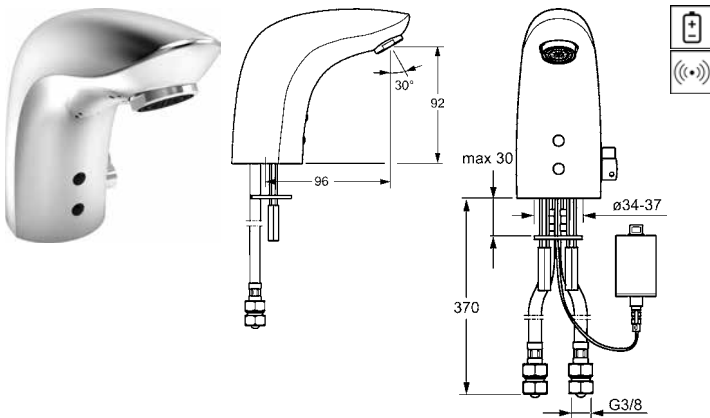
**Item-No.**  
 chrome  
**6441 2210**

P-IX (submitted)  
 flow rate: 6 l/min, at 3 bar hydraulic pressure

- Fitting body: brass
- convertible for cold- and premixed-water
- accessories included in delivery
- sensor parameters at factory optimally preset
- no forced flushing
- without pop-up waste
- connection with flexible pressure hoses

projection: 96 mm

Push-pop-up waste 59913988 can be ordered separately



**HANSAELECTRA**  
**electronic basin mixer,**  
**DN 15, battery-operated**  
 sensory operation (infrared)

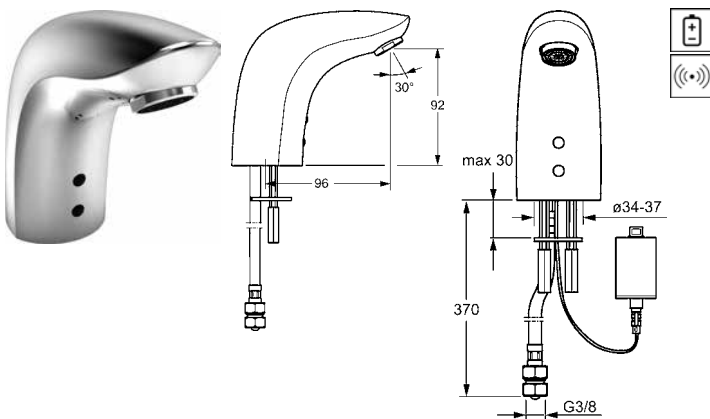
**Item-No.**  
 chrome  
**6441 2211**

P-IX (submitted)  
 flow rate: 6 l/min, at 3 bar hydraulic pressure

- Fitting body: brass
- convertible for cold water
- accessories included in delivery
- sensor parameters at factory optimally preset
- hygienic flush after 72 h for 30 sec at factory preset
- without pop-up waste
- connection with flexible pressure hoses

projection: 96 mm

Push-pop-up waste 59913988 can be ordered separately



**HANSAELECTRA**  
**electronic basin mixer,**  
**DN 15, battery-operated**  
 sensory operation (infrared)  
 for cold or pre-tempered water only

**Item-No.**  
 chrome  
**6440 2210**

P-IX (submitted)  
 flow rate: 6 l/min, at 3 bar hydraulic pressure

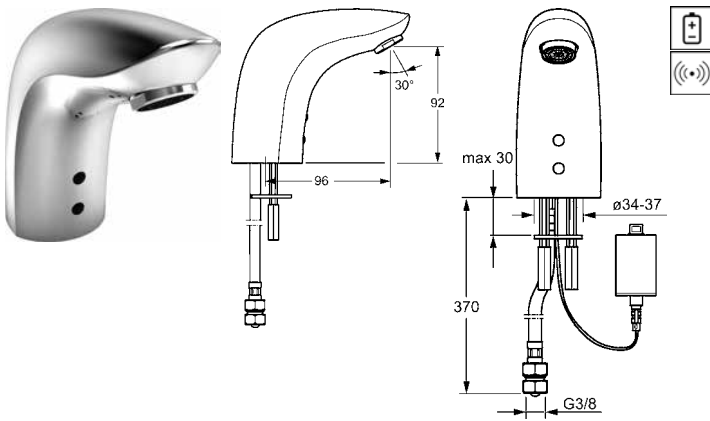
- Fitting body: brass
- sensor parameters at factory optimally preset
- no forced flushing
- without pop-up waste
- connection with 1 flexible hose and strainer

projection: 96 mm

Push-pop-up waste 59913988 can be ordered separately



# PRODUCT OVERVIEW



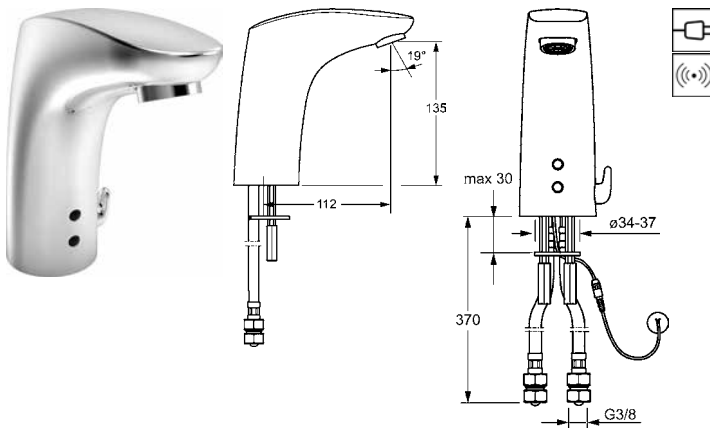
**HANSAELECTRA**  
**electronic basin mixer,**  
**DN 15, battery-operated**  
 sensory operation (infrared)  
 for cold or pre-tempered water only

**Item-No.**  
 chrome  
**6440 2211**

P-IX (submitted)  
 flow rate: 6 l/min, at 3 bar hydraulic pressure

- Fitting body: brass
  - sensor parameters at factory optimally preset
  - hygienic flush after 72 h for 30 sec at factory preset
  - without pop-up waste
  - connection with 1 flexible hose and strainer
- projection: 96 mm

Push-pop-up waste 59913988 can be ordered separately



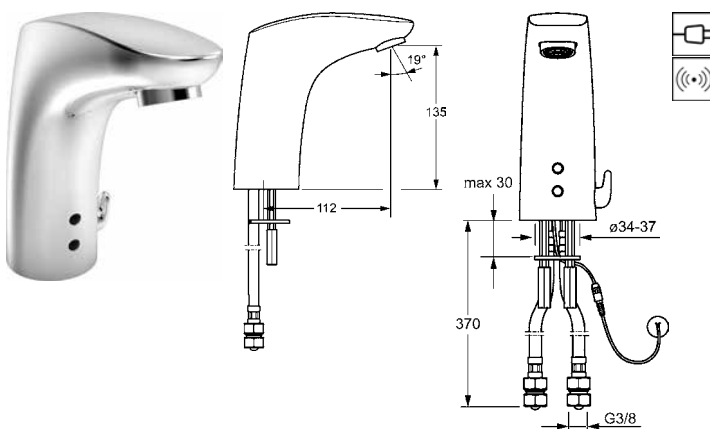
**HANSAELECTRA**  
**electronic basin mixer,**  
**DN 15, mains supply**  
 sensory operation (infrared)  
 without power supply

**Item-No.**  
 chrome  
**6443 2000**

P-IX (submitted)  
 flow rate: 6 l/min, at 3 bar hydraulic pressure

- Fitting body: brass
  - convertible for cold- and pre-mixed-water
  - accessories included in delivery
  - sensor parameters at factory optimally preset
  - no forced flushing
  - without pop-up waste
  - connection with flexible pressure hoses
  - aerator, burglarproof, M 24x1 A
- projection: 112 mm

Push-pop-up waste 59913988 can be ordered separately  
 operative voltage 12 V DC  
 suitable power supply 64490100 or 64990100 please order separately



**HANSAELECTRA**  
**electronic basin mixer,**  
**DN 15, mains supply**  
 sensory operation (infrared)  
 without power supply

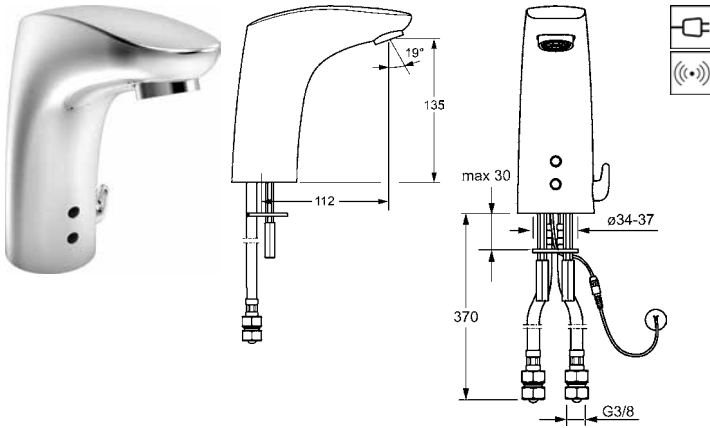
**Item-No.**  
 chrome  
**6443 2001**

P-IX (submitted)  
 flow rate: 6 l/min, at 3 bar hydraulic pressure

- Fitting body: brass
  - convertible for cold- and pre-mixed-water
  - accessories included in delivery
  - sensor parameters at factory optimally preset
  - hygienic flush after 72 h for 30 sec at factory preset
  - without pop-up waste
  - connection with flexible pressure hoses
  - aerator, burglarproof, M 24x1 A
- projection: 112 mm

Push-pop-up waste 59913988 can be ordered separately  
 operative voltage 12 V DC  
 suitable power supply 64490100 or 64990100 please order separately

# PRODUCT OVERVIEW



**HANSAELECTRA**  
**electronic basin mixer,**  
**DN 15, mains supply**  
 sensory operation (infrared) without power supply

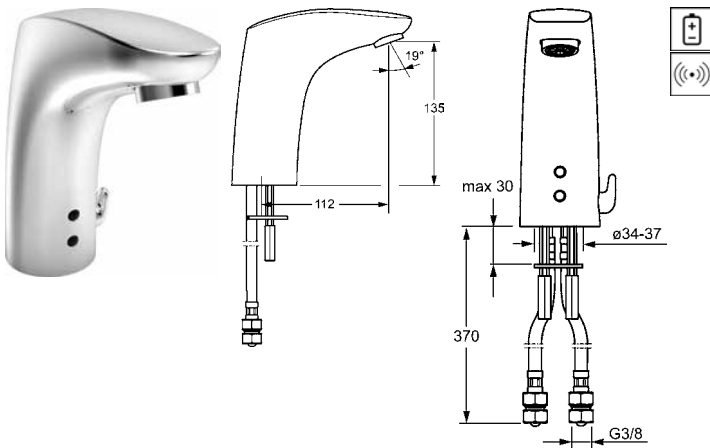
**Item-No.**  
 chrome  
**6443 2009**

P-IX (submitted)  
 flow rate: 6 l/min, at 3 bar hydraulic pressure

- Fitting body: brass
- convertible for cold- and pre-mixed-water
- accessories included in delivery
- sensor parameters at factory optimally preset
- Bluetooth® enabled
- with the Hansa app and a smartphone/tablet, various parameters can be set
- without pop-up waste
- connection with flexible pressure hoses
- aerator, burglarproof, M 24x1 A

projection: 112 mm

expected to be available from April 2017  
 Push-pop-up waste 59913988 can be ordered separately  
 operative voltage 12 V DC  
 suitable power supply 64490100 or 64990100 please order separately



**HANSAELECTRA**  
**electronic basin mixer,**  
**DN 15, battery-operated**  
 sensory operation (infrared)

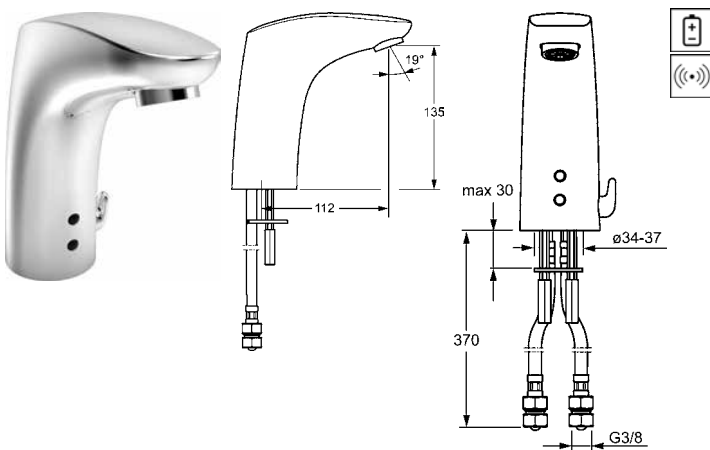
**Item-No.**  
 chrome  
**6443 2210**

P-IX (submitted)  
 flow rate: 6 l/min, at 3 bar hydraulic pressure

- Fitting body: brass
- convertible for cold- and pre-mixed-water
- accessories included in delivery
- sensor parameters at factory optimally preset
- no forced flushing
- without pop-up waste
- connection with flexible pressure hoses
- aerator, burglarproof, M 24x1 A

projection: 112 mm

Push-pop-up waste 59913988 can be ordered separately



**HANSAELECTRA**  
**electronic basin mixer,**  
**DN 15, battery-operated**  
 sensory operation (infrared)

**Item-No.**  
 chrome  
**6443 2211**

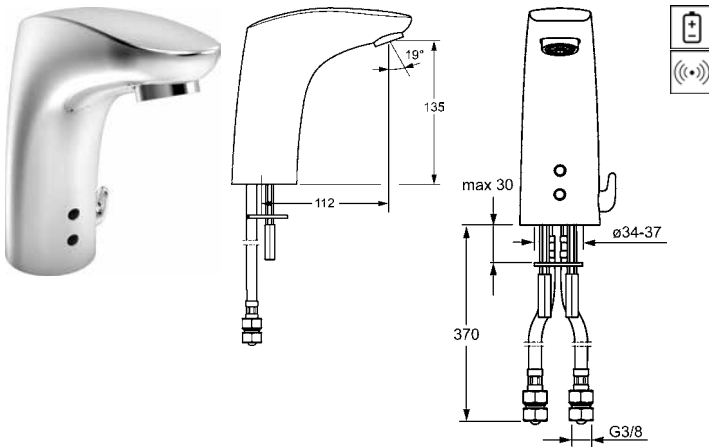
P-IX (submitted)  
 flow rate: 6 l/min, at 3 bar hydraulic pressure

- Fitting body: brass
- convertible for cold- and pre-mixed-water
- accessories included in delivery
- sensor parameters at factory optimally preset
- hygienic flush after 72 h for 30 sec at factory preset
- without pop-up waste
- connection with flexible pressure hoses
- aerator, burglarproof, M 24x1 A

projection: 112 mm

Push-pop-up waste 59913988 can be ordered separately

# PRODUCT OVERVIEW



**HANSAELECTRA**  
**electronic basin mixer,**  
**DN 15, battery-operated**  
 sensory operation (infrared)

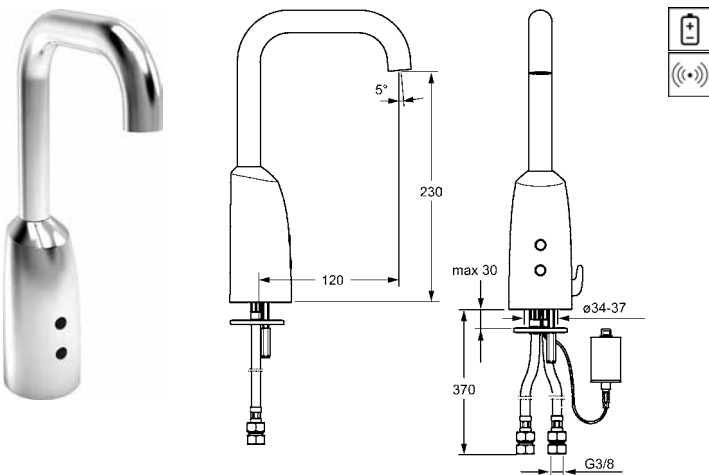
**Item-No.**  
 chrome  
**6443 2219**

P-IX (submitted)  
 flow rate: 6 l/min, at 3 bar hydraulic pressure

- Fitting body: brass
- convertible for cold- and premixed-water
- accessories included in delivery
- sensor parameters at factory optimally preset
- Bluetooth® enabled
- with the Hansa app and a smartphone/tablet, various parameters can be set
- without pop-up waste
- connection with flexible pressure hoses
- aerator, burglarproof, M 24x1 A

projection: 112 mm

expected to be available from April 2017  
 Push-pop-up waste 59913988 can be ordered separately



**HANSAELECTRA**  
**electronic basin mixer,**  
**DN 15, battery-operated**  
 sensory operation (infrared)

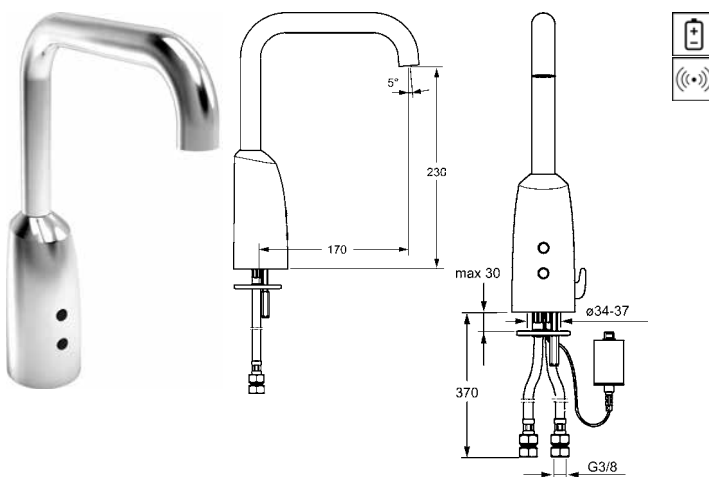
**Item-No.**  
 chrome  
**6444 2220**

P-IX (submitted)  
 flow rate: 6 l/min, at 3 bar hydraulic pressure

- Fitting body: brass
- adjustable mixed water temperature (fixed setting possible)
- sensor parameters at factory optimally preset
- forced flushing after 24 oder 72 hours for 30 sec (factory setting deactivated)
- without pop-up waste
- connection with flexible pressure hoses

projection: 120 mm  
 spout height: 295 mm

Push-pop-up waste 59913988 can be ordered separately



**HANSAELECTRA**  
**electronic basin mixer,**  
**DN 15, battery-operated**  
 sensory operation (infrared)

**Item-No.**  
 chrome  
**6444 2210**

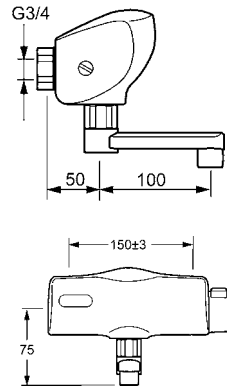
P-IX (submitted)  
 flow rate: 6 l/min, at 3 bar hydraulic pressure

- Fitting body: brass
- adjustable mixed water temperature (fixed setting possible)
- sensor parameters at factory optimally preset
- forced flushing after 24 oder 72 hours for 30 sec (factory setting deactivated)
- without pop-up waste
- connection with flexible pressure hoses

projection: 170 mm  
 spout height: 295 mm

Push-pop-up waste 59913988 can be ordered separately

# PRODUCT OVERVIEW



**HANSAELECTRA**  
**electronic basin mixer, DN 15**  
**temperature pre-select mixer**  
**for wall-mounting**

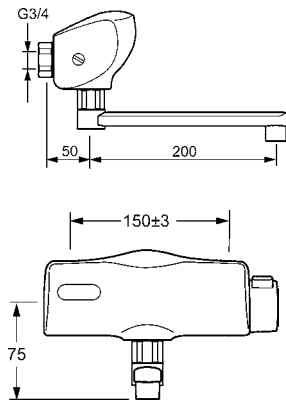
**Item-No.**  
 chrome  
**6446 2201**

battery-operated  
 sensory operation (infrared)

P-IX (submitted)  
 flow rate: 6 l/min, at 3 bar hydraulic pressure

- cascade aerator
- sensor parameters at factory optimally preset
- optional forced flushing every 24, 48 or 72 hours
- eccentric connections with shut-off valve

projection: 100 mm  
 spout: swivel with aerator



**HANSAELECTRA**  
**electronic basin mixer, DN 15**  
**temperature pre-select mixer**  
**for wall-mounting**

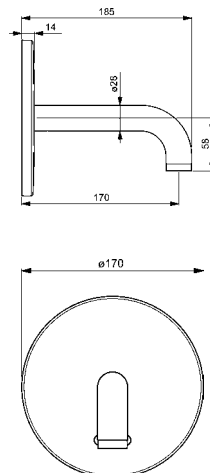
**Item-No.**  
 chrome  
**6445 2201**

battery-operated  
 sensory operation (infrared)

flow rate: 6 l/min, at 3 bar hydraulic pressure

- cascade aerator
- sensor parameters at factory optimally preset
- optional forced flushing every 24, 48 or 72 hours
- eccentric connections with shut-off valve

projection: 200 mm  
 spout: swivel with aerator



**HANSAELECTRA trim kit with function unit**  
**concealed electronic mixer, DN 15 (G1/2)**  
**for cold or pre-tempered water only**  
**suitable for HANSABLUEBOX concealed unit**

**Item-No.**  
 chrome  
**8180 2100**

battery-operated  
 sensory operation (infrared)

flow rate: 5 l/min, at 3 bar hydraulic pressure

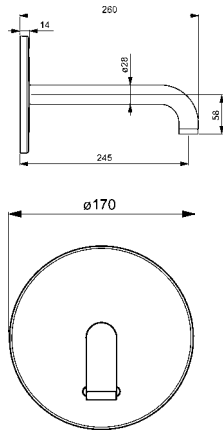
- adjustable electronic function
- forced flushing 12/24/48/72 hours (factory setting: off)
- flow regulator M24x1 with flow regulator 5 l/min
- Trim kits of HANSAELECTRA please use only in combination with HANSABLUEBOX 8001

projection: 170 mm

expected to be available in May 2017  
 For mains operation please order the HANSA assembly module 5836 0100 (1 assembly module for each fitting) and the suitable mains supply (58280100, 58300100) (max. 5 fittings for one mains supply) and for the installation necessary interconnections.



# PRODUCT OVERVIEW



**HANSAELECTRA trim kit with function unit concealed electronic mixer, DN 15 (G1/2) for cold or pre-tempered water only suitable for HANSABUEBOX concealed unit**

**Item-No.**  
chrome  
**8180 2110**

battery-operated  
sensory operation (infrared)

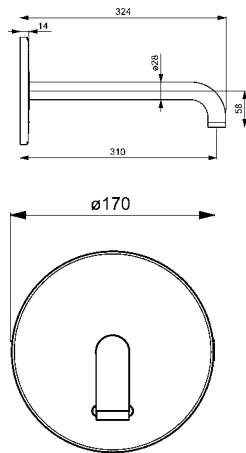
flow rate: 5 l/min, at 3 bar hydraulic pressure

- adjustable electronic function
- forced flushing 12/24/48/72 hours (factory setting: off)
- aerator with flow regulator 5 l/min
- Trim kits of HANSAELECTRA please use only in combination with HANSABUEBOX 8001

projection: 245 mm

expected to be available in May 2017

For mains operation please order the HANSA assembly module 5836 0100 (1 assembly module for each fitting) and the suitable mains supply (58280100, 58300100) (max. 5 fittings for one mains supply) and for the installation necessary interconnections.



**HANSAELECTRA trim kit with function unit concealed electronic mixer, DN 15 (G1/2) for cold or pre-tempered water only suitable for HANSABUEBOX concealed unit**

**Item-No.**  
chrome  
**8180 2120**

battery-operated  
sensory operation (infrared)

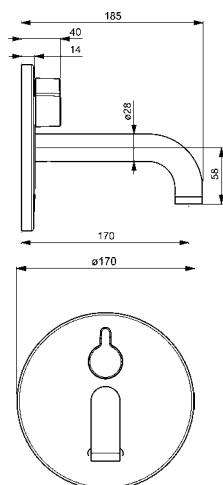
flow rate: 5 l/min, at 3 bar hydraulic pressure

- adjustable electronic function
- forced flushing 12/24/48/72 hours (factory setting: off)
- flow regulator M24x1 with flow regulator 5 l/min
- Trim kits of HANSAELECTRA please use only in combination with HANSABUEBOX 8001

projection: 310 mm

expected to be available in May 2017

For mains operation please order the HANSA assembly module 5836 0100 (1 assembly module for each fitting) and the suitable mains supply (58280100, 58300100) (max. 5 fittings for one mains supply) and for the installation necessary interconnections.



**HANSAELECTRA trim kit with function unit concealed electronic mixer, DN 15 (G1/2) with temperature mixing device suitable for HANSABUEBOX concealed unit**

**Item-No.**  
chrome  
**8181 2101**

battery-operated  
sensory operation (infrared)

flow rate: 5 l/min, at 3 bar hydraulic pressure

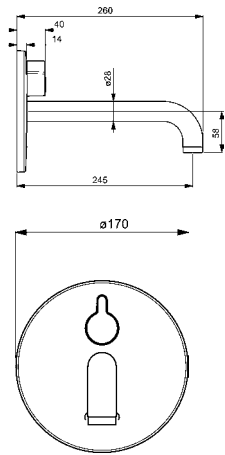
- adjustable electronic function
- forced flushing 12/24/48/72 hours (factory setting: off)
- flow regulator M24x1 with flow regulator 5 l/min
- Trim kits of HANSAELECTRA please use only in combination with HANSABUEBOX 8001

projection: 170 mm

expected to be available in May 2017

For mains operation please order the HANSA assembly module 5836 0100 (1 assembly module for each fitting) and the suitable mains supply (58280100, 58300100) (max. 5 fittings for one mains supply) and for the installation necessary interconnections.

# PRODUCT OVERVIEW



**HANSAELECTRA trim kit with function unit  
concealed electronic mixer, DN 15 (G1/2)  
with temperature mixing device  
suitable for HANSABLUEBOX concealed unit**

**Item-No.**  
chrome  
**8181 2111**

battery-operated  
sensory operation (infrared)

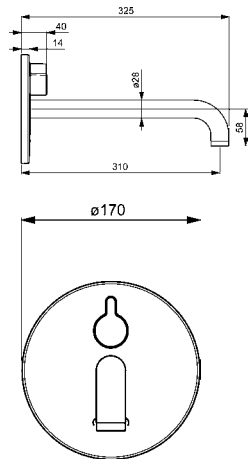
flow rate: 5 l/min, at 3 bar hydraulic pressure

- adjustable electronic function
- forced flushing 12/24/48/72 hours (factory setting: off)
- flow regulator M24x1 with flow regulator 5 l/min
- Trim kits of HANSAELECTRA please use only in combination with HANSABLUEBOX 8001

projection: 245 mm

expected to be available in May 2017

For mains operation please order the HANSA assembly module 5836 0100 (1 assembly module for each fitting) and the suitable mains supply (58280100, 58300100) (max. 5 fittings for one mains supply) and for the installation necessary interconnections.



**HANSAELECTRA trim kit with function unit  
concealed electronic mixer, DN 15 (G1/2)  
with temperature mixing device  
suitable for HANSABLUEBOX concealed unit**

**Item-No.**  
chrome  
**8181 2121**

battery-operated  
sensory operation (infrared)

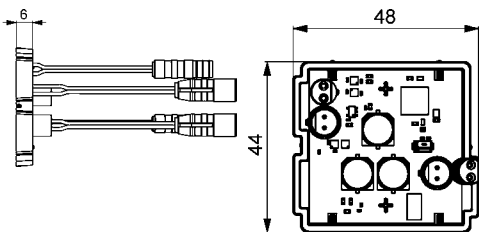
flow rate: 5 l/min, at 3 bar hydraulic pressure

- adjustable electronic function
- forced flushing 12/24/48/72 hours (factory setting: off)
- flow regulator M24x1 with flow regulator 5 l/min
- Trim kits of HANSAELECTRA please use only in combination with HANSABLUEBOX 8001

projection: 310 mm

expected to be available in May 2017

For mains operation please order the HANSA assembly module 5836 0100 (1 assembly module for each fitting) and the suitable mains supply (58280100, 58300100) (max. 5 fittings for one mains supply) and for the installation necessary interconnections.



**HANSA assembly module**

for the mains supply of battery electrical fittings

**Item-No.**  
**5836 0800**

- a HANSA assembly module is necessary for each fitting

Mains adapter (58280100, 58300100) and interconnection please order separately

# PRODUCT OVERVIEW



### HANSA plug power supply

500 mA suitable fittings for HANSAELECTRA, HANSALOFT, HANSALIGNA and HANSASTELA

- input 100-240 V / 50-60 Hz
- output 12 VDC (SELV)
- connection cable 1.5 m

### Item-No.

**6449 0100**



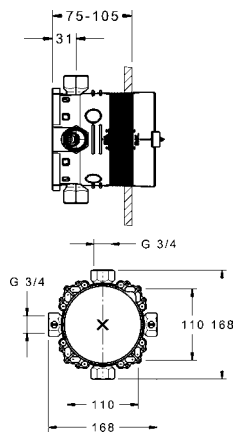
### HANSA concealed power supply

1A suitable fittings for HANSAELECTRA, HANSALOFT, HANSALIGNA and HANSASTELA

- for max. 5 fittings
- input 230 V / 50-60 Hz
- output 12 VDC (SELV)

### Item-No.

**6499 0100**



### HANSABLUEBOX base unit concealed installation unit with shut-off valves with shut-off valves

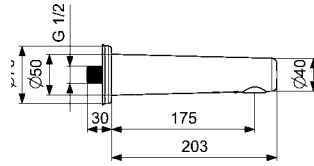
- DVGW in preparation

### Item-No.

**8001 0000**

For a complete unit please order a base unit and function unit with trim kit.  
Rinsing according to DIN EN 806-4 with plug no. 59914185

# PRODUCT OVERVIEW



## HANSAELECTRA electronic basin mixer, DN 15

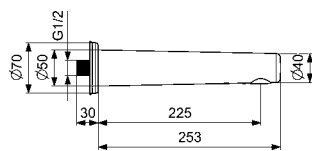
Battery operated – sensory operation (infrared)  
as wall-mounted spout  
for cold or pre-tempered water only

flow rate: 6 l/min, at 3 bar hydraulic pressure

- Fitting body: brass
- for cold or pre-tempered water only
- sensor parameters at factory optimally preset
- adjustable electronic function
- forced flushing 12/24/48/72 hours (factory setting: off)
- recognition range
- care® flow straightener M24 x 1, laminar
- thief-proof
- integrated shut-off valve with strainer
- check-valves

projection: 175 mm  
spout: fix, cast

**Item-No.**  
chrome  
**0087 0010**



## HANSAELECTRA electronic basin mixer, DN 15

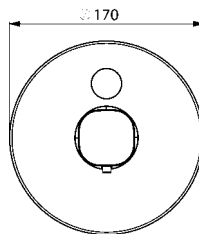
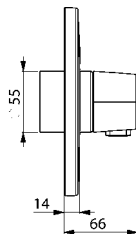
Battery operated – sensory operation (infrared)  
as wall-mounted spout  
for cold or pre-tempered water only

flow rate: 6 l/min, at 3 bar hydraulic pressure

- Fitting body: brass
- for cold or pre-tempered water only
- sensor parameters at factory optimally preset
- adjustable electronic function
- forced flushing 12/24/48/72 hours (factory setting: off)
- recognition range
- care® flow straightener M24 x 1, laminar
- thief-proof
- integrated shut-off valve with strainer
- check-valves

projection: 225 mm  
spout: fix, cast

**Item-No.**  
chrome  
**0088 0010**



## HANSAELECTRA trim kit with function unit thermostatic shower faucet, DN 15 (G 1/2) suitable for HANSABLUEBOX concealed unit

battery-operated  
sensory operation (infrared)

P-IX submitted  
flow rate: 13 l/min, at 3 bar hydraulic pressure

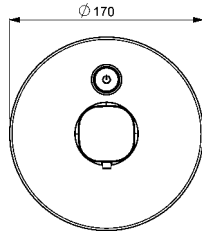
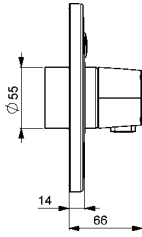
- safety stop against scalding at 38 °C
- adjustable electronic function
- water follow-up time 1 to 10 seconds (factory setting: 1 second)
- forced flushing 12/24/48/72 hours (factory setting: off)
- Trim kits of HANSAELECTRA please use only in combination with HANSABLUEBOX 8001

expected to be available in May 2017  
For mains operation please order the HANSA assembly module 5836 0100 (1 assembly module for each fitting) and the suitable mains supply (58280100, 58300100) (max. 5 fittings for one mains supply) and for the installation necessary interconnections.

**Item-No.**  
chrome  
**8190 9001**



# PRODUCT OVERVIEW



**HANSAELECTRA trim kit with function unit  
thermostatic shower faucet, DN 15 (G 1/2)  
suitable for HANSABLUEBOX concealed unit**  
battery-operated  
self-closing fitting, DN 15

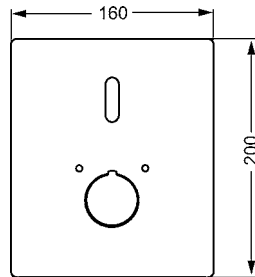
**Item-No.**  
chrome  
**8191 9001**

P-IX submitted  
flow rate: 13 l/min, at 3 bar hydraulic pressure

- electronically controlled (start/stop button)
- safety stop against scalding at 38 °C
- additional function the Start/Stop button
- water flow time adjustable
- forced flushing 12/24/48/72 hours (factory setting: off)
- Trim kits of HANSAELECTRA please use only in combination with HANSABLUEBOX 8001

expected to be available in May 2017

For mains operation please order the HANSA assembly module 5836 0100 (1 assembly module for each fitting) and the suitable mains supply (58280100, 58300100) (max. 5 fittings for one mains supply) and for the installation necessary interconnections.



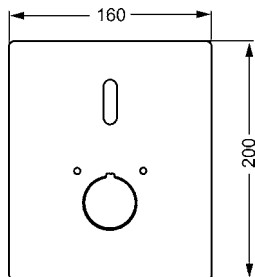
**HANSAELECTRA trim kit with function unit  
thermostatic shower faucet, DN 15 (G 1/2)  
suitable for HANSAELECTRA installation unit**  
for concealed installation  
mains supply  
sensory operation (infrared)

**Item-No.**  
chrome  
**4190 9172**

P-IX submitted  
flow rate: 12 l/min, at 3 bar hydraulic pressure

- sensor parameters at factory optimally preset
- optional forced flushing every 24, 48 or 72 hours
- mains supply not included in delivery

operative voltage 12 V DC  
alternative: suitable power supply 64990100  
please order separately  
suitable for installation unit 0945 0270



**HANSAELECTRA trim kit with function unit  
thermostatic shower faucet, DN 15 (G 1/2)  
suitable for HANSAELECTRA installation unit**  
for concealed installation  
battery-operated  
sensory operation (infrared)

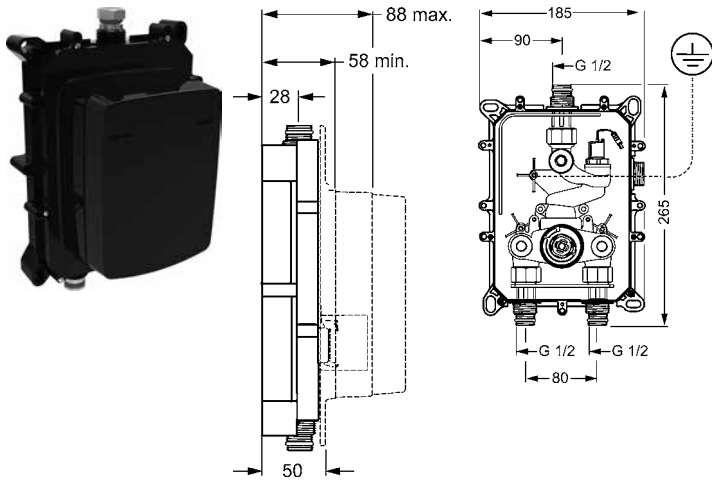
**Item-No.**  
chrome  
**4190 9272**

P-IX submitted  
flow rate: 12 l/min, at 3 bar hydraulic pressure

- sensor parameters at factory optimally preset
- optional forced flushing every 24, 48 or 72 hours

suitable for installation unit 0945 0270

# PRODUCT OVERVIEW

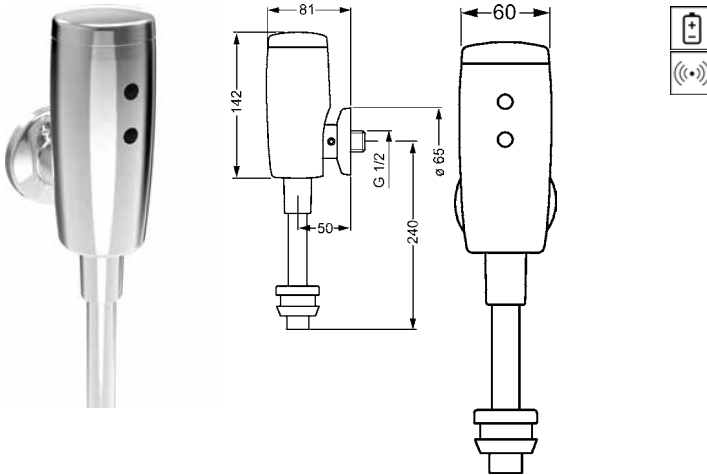


**HANSAELECTRA**  
**concealed installation unit, DN 15 (G 1/2)**  
**for installation thermostatic shower mixer**  
 without shut-off valves

**Item-No.**  
**0945 0270**

- suitable for mains supply 230/12 V (must be ordered separately)
- or battery operated 6 V

suitable for 4190 9172 and 4190 9272  
 For a complete unit please order a base unit and function unit with trim kit



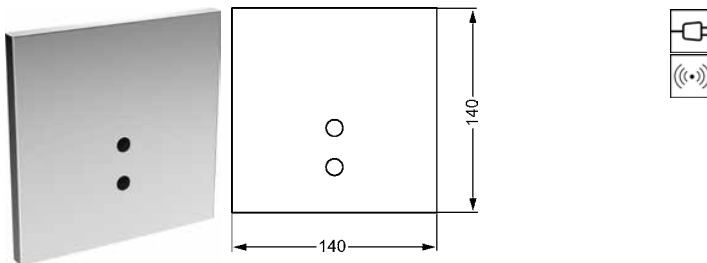
**HANSAELECTRA**  
**sensory urinal operation**  
**battery-operated**  
 sensory operation (infrared)

**Item-No.**  
 chrome  
**0944 0172**

P-IX (submitted)  
 flow rate: 12 l/min, at 3 bar hydraulic pressure

- Fitting body: brass
- integrated shut-off valve
- flushing time, operating time and sensor sensitivity preset
- optional forced flushing every 24 hours

projection: 81 mm



**HANSAELECTRA**  
**trim kit with function unit**  
**concealed urinal trim kit, DN 15, mains supply**  
**suitable for HANSAELECTRA installation unit**  
 for concealed installation  
 sensory operation (infrared)

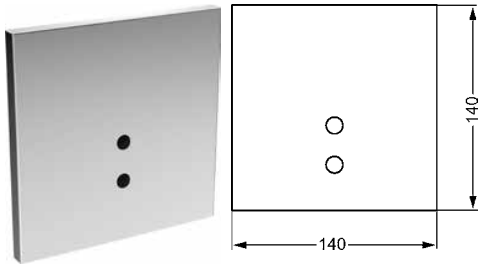
**Item-No.**  
 chrome  
**0946 9172**

P-IX submitted  
 flow rate: 12 l/min, at 3 bar hydraulic pressure

- sensor parameters at factory optimally preset
- hygienic flush after 24 h for 30 sec at factory preset
- mains supply not included in delivery

operative voltage 12 V DC  
 alternative: suitable power supply 64990100  
 please order separately  
 suitable for installation unit 0945 0170

# PRODUCT OVERVIEW



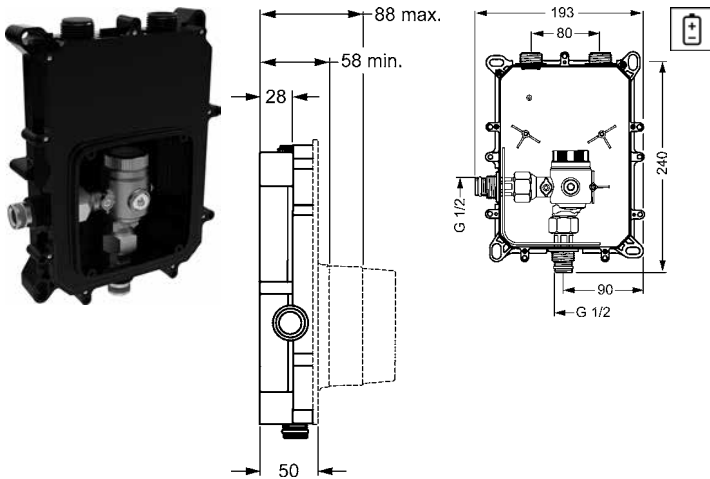
**HANSAELECTRA**  
**trim kit with function unit**  
**concealed urinal, DN 15, battery operated**  
**suitable for HANSAELECTRA installation unit**  
 for concealed installation  
 sensory operation (infrared)

**Item-No.**  
 chrome  
**0947 9272**

P-IX submitted  
 flow rate: 12 l/min, at 3 bar hydraulic pressure

- sensor parameters at factory optimally preset
- hygienic flush after 24 h for 30 sec at factory preset

electric supply: 6 V DC  
 suitable for installation unit 0945 0170



**HANSAELECTRA**  
**concealed urinal installation set, DN 15**  
 with shut-off valves

**Item-No.**  
**0945 0170**

- suitable for mains supply 230/12 V (must be ordered separately) or battery operated 6 V

suitable for 0946 9172 and 0947 9272  
 For a complete unit please order a base unit and function unit with trim kit



extension/connection cable, 2-pole  
 length 1000 mm

**Item-No.**  
**59 913 412**

extension/connection cable, 2-pole  
 length 1500 mm

**Item-No.**  
**59 910 648**

extension/connection cable, 2-pole  
 length 2000 mm

**Item-No.**  
**59 913 414**

extension/connection cable, 2-pole  
 length 2500 mm

**Item-No.**  
**59 913 415**

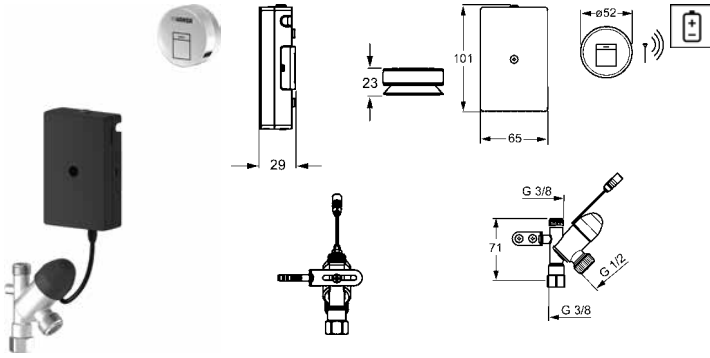
extension/connection cable, 2-pole  
 length 3000 mm

**Item-No.**  
**59 913 416**

extension/connection cable, 2-pole  
 length 7000 mm

**Item-No.**  
**59 913 417**

# PRODUCT OVERVIEW

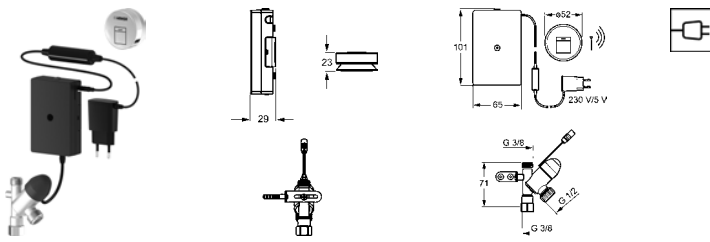


**HANSA**  
**remote appliance socket battery-operated**  
 suitable for all one-hole single-lever basin  
 and kitchen mixer

**Item-No.**  
 chrome  
**0259 0100**

flow rate: 16.5 l/min, at 3 bar hydraulic pressure

- consisting of:
- HANSATIPTRONIK Flex pushbutton with LED indicator
- control unit
- remote appliance socket
- connection possible to hot or cold water
- opening time of the remote valve is preset at 3 h or 12 h
- In connection with fittings with copper pipes compression fitting is required
- compression fitting not included in delivery
- protected according to protection class IP 34
- suitable for shut-off valve for dishwashers and washing machines

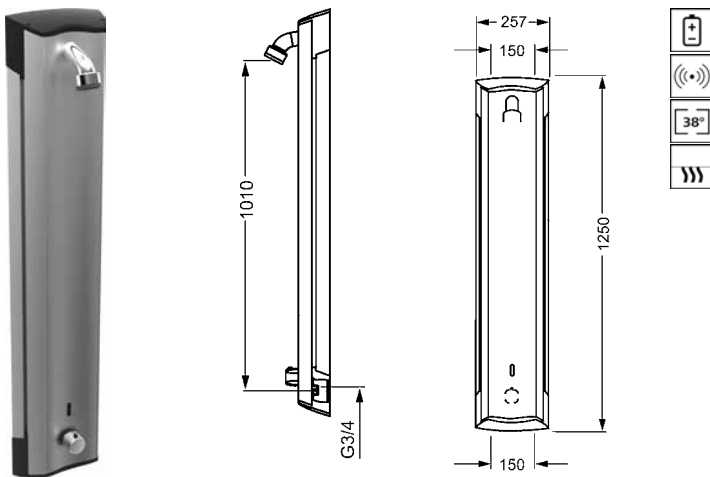


**HANSA**  
**remote appliance socket mains supply**  
 suitable for all one-hole single-lever basin  
 and kitchen mixer

**Item-No.**  
 chrome  
**0259 0110**

flow rate: 16.5 l/min, at 3 bar hydraulic pressure

- consisting of:
- HANSATIPTRONIK Flex pushbutton with LED indicator
- control unit
- remote appliance socket
- mains supply 230 V, operating voltage 5 V
- connection possible to hot or cold water
- opening time of the remote valve is preset at 3 h or 12 h
- In connection with fittings with copper pipes compression fitting is required
- compression fitting not included in delivery
- protected according to protection class IP 34
- suitable for shut-off valve for dishwashers and washing machines



**HANSAELECTRA**  
**touch-free aluminium shower panel**  
**with thermostat, battery-operated**  
 sensory operation (infrared)

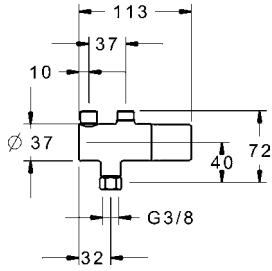
**Item-No.**  
 chrome  
**6415 2200**

flow rate: 15 l/min, at 3 bar hydraulic pressure  
 recommended minimum flow rate: 8 l/min

- optional forced flushing every 24, 48 or 72 hours
- water saving set



# PRODUCT OVERVIEW

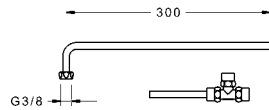


**HANSAMINIMAT**  
**safety thermostatic mixer for angle**  
**valvemounting for basin pillar valves or mixers**

**Item-No.**  
 chrome  
**6341 0020**

P-IX 28624/I  
 flow rate: 13 l/min, at 3 bar hydraulic pressure

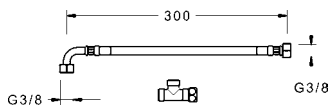
- body: DR brass (MS 63)
- scalding protection by thermostat wax element
- hidden and lockable temperature setting
- connections G 3/8
- strainers
- non return valve
- thermal desinfection in accordance with DVGW W 551, possible without readjusting
- without connection garnish



**HANSAMINIMAT**  
**copper pipes**  
 available for HANSAMINIMAT

**Item-No.**  
 chrome  
**6638 0100**

- connections G 3/8
- copper piping, chrome
- T piece



**HANSAMINIMAT**  
**hose copper pipe**  
 available for HANSAMINIMAT

**Item-No.**  
 chrome  
**6639 0200**

- connections G 3/8
- Pressure hose
- T piece

# COMPLETE SOLUTIONS FOR SEMI-PUBLIC AREAS.

Be it in the housing sector or the hotel industry, in care facilities or in fine dining establishments, building zones must be equipped to meet the expectations of particular groups of people. Some of these areas act as temporary residences – or as places of work. All semi-public buildings have one thing in common: Planners and designers must reconcile a range of different requirements. Users attach great importance to

intuitive operation in harmony with form and function. The owners consider the room from economic aspects. With a wide selection of sensory fittings, Hansa meets these different expectations. In many cases, hybrid fittings offer the best solution. Each time they use the fitting, users can choose whether to trigger the water flow without contact or by using the dedicated handle.



Experience light, colour and water



## HANSAMURANO X – FOR PROPERTIES THAT DEMAND THE HIGHEST STANDARDS OF FORM AND FUNCTION

Controlled by sensors that are integrated in the glass panel, HANSAMURANO X responds in two stages when it is approached. As a welcome, first only the light goes on. If the hands are held close to the fitting, the water flow starts and the light illuminates the clear water curtain.



## HANSASIGNATUR HYBRID

The iconic hybrid fitting offers maximum freedom with regard to water use. The design separates sensory and manual operation in a manner that can be intuitively understood. The swivel spout and pull-out shower round out its function to perfection. The design has already been recognised with a design prize.



Inner values translated into practicality: The pull-out shower makes HANSASIGNATUR HYBRID even more flexible at the washbasin, and greatly enhances your practical options for using the fitting

## HANSALOFT

Exemplifies a strong sense of purpose in its design. The HANSALOFT sensory fitting for rooms with crisp cubist lines.



When it comes to precision, the patented PSD technology is clearly superior to conventional infrared sensors. The hand and its position in the room are detected by a process of angle measurement. PSD technology functions absolutely reliably and rules out possible interference factors





## HANSASTELE

With its richly contrasting style, HANSASTELE is exceptionally flexible for combination with different washbasin types.

## HANSALIGNA

Sophisticated design, excellent functionality, impressive durability and an attractive price persuade many planners of the advantages of the HANSALIGNA sensory fitting.





## HANSAFIT

Small and compact, is it ideal not only for guest bathrooms in the housing sector, but also as a pleasing highlight in semi-public sanitary areas.

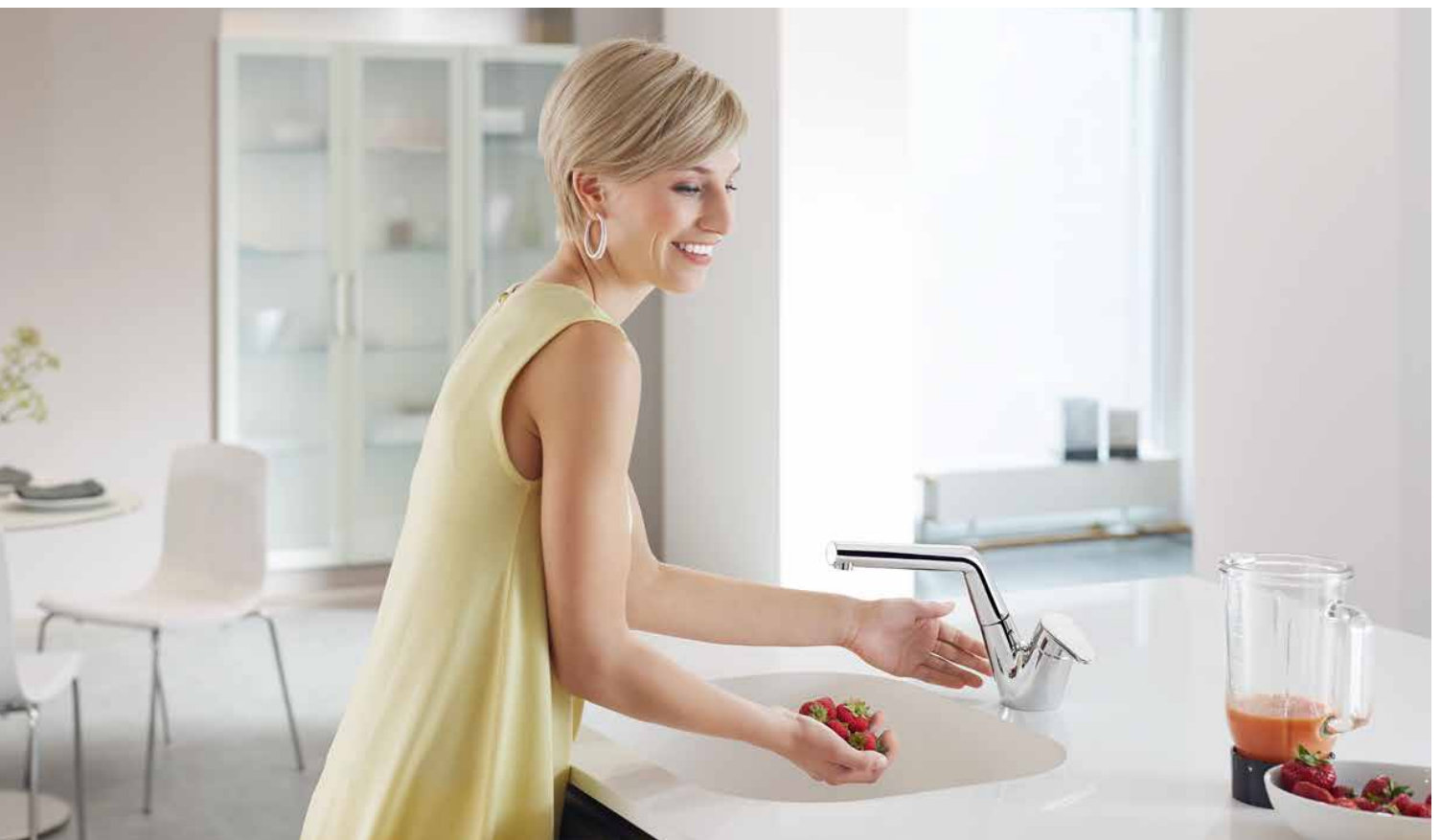




# PERFECT HELPER WITH FLEXIBLE OPERATION. FOR EVERY KITCHEN.

Sensory fittings are also gaining a foothold in the kitchen and their popularity is increasing. Hansa offers two fitting solutions to meet every requirement – choose between manual or intuitive sensory operation to suit your needs. The flexible operating principle combines numerous functions and gives the user plenty

of scope in terms of design. Users instinctively understand at first glance how the fitting works. The design language is designed in such a way that every user intuitively knows which hand movements are required.



## HANSASIGNATUR HYBRID

Equipped with an integrated pull-out shower, the **HANSASIGNATUR HYBRID** also brings multifunctional ability and absolute flexibility to the kitchen. The innovative hybrid fitting has a 150° swivel spout that can also be set to 70°. That increases flexibility, for example, if two sinks need to be filled but prevents the working surface from “overflowing” accidentally. The innovative remote-control Hansa magnet shut-off valve is optionally available for the fitting.



## HANSAFIT HYBRID

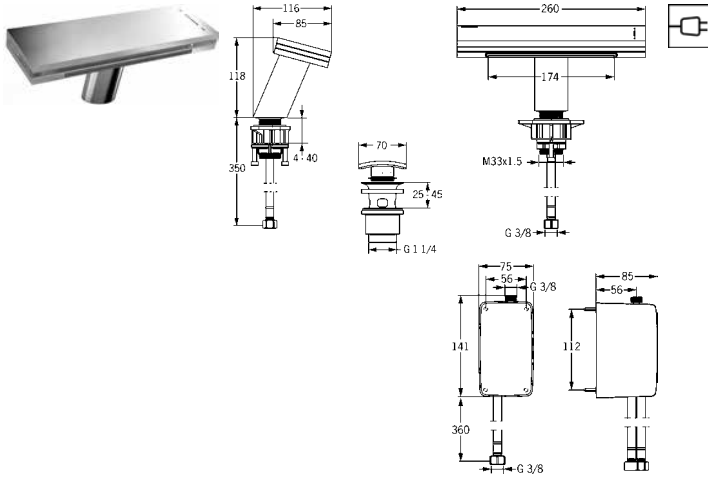
Even the most discerning professionals cannot fail to be impressed: HANSAFIT combines two types of operation in a single fitting. Flow rates of cold and hot water are easily adjusted using the two ergonomically shaped and extremely handy levers on the sides. They can even be operated with the back of the hand, if the user does not have a free hand. The additional sensory function of the raised spout, which can swivel by 120°, allows pretempered water to flow for ten seconds – perfect for quickly washing your hands between tasks and maintaining a hygienic work environment. The temperature is pre-set via the anthracite-coloured ring and indicated in the display. The temperature display issues a warning if the water is too hot.



The HANSAFIT hybrid fitting is ideal for everyday kitchen use thanks to its dual operator control concept and multiple benefits (top picture)



# PRODUCT OVERVIEW



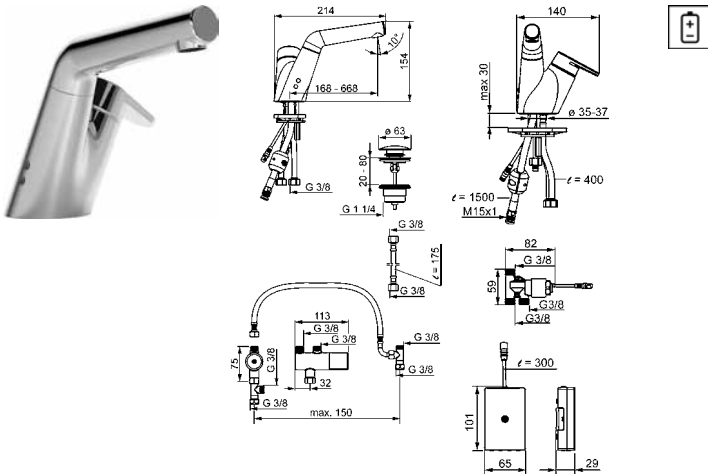
**HANSAMURANO X**  
electronically operated mixer for basin,  
DN 15, mains supply

**Item-No.**  
chrome  
**5605 2200**

flow rate: 9 l/min, at 3 bar hydraulic pressure

- Self-closing valve
- adjustable mix water temperature
- push-pop-up waste
- flexible hoses
- plug power supply
- connection cable 2.0 m

projection: 85 mm



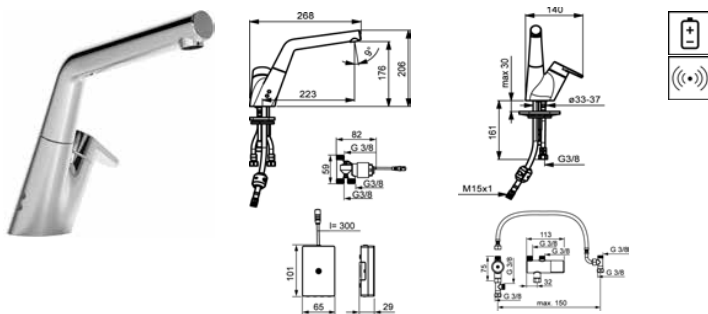
**HANSASIGNATUR**  
one-hole single-lever hybrid basin mixer,  
DN 15, battery-operated  
Extractable spout

**Item-No.**  
chrome  
**5510 2281**

flow rate: 6 l/min, at 3 bar hydraulic pressure

- contactless and manual operation possible
- thermostate mixing unit
- adjustable electronic function
- water current time adjustable from 4 to 60 seconds (preset: 6 seconds)
- cleaning mode
- push-pop-up waste
- connection with flexible pressure hoses

projection: 168 mm  
spout: swivelling spout 150°, can be set at 70°



**HANSASIGNATUR**  
one-hole hybrid sink mixer,  
DN 15, battery-operated  
extractable hand spray

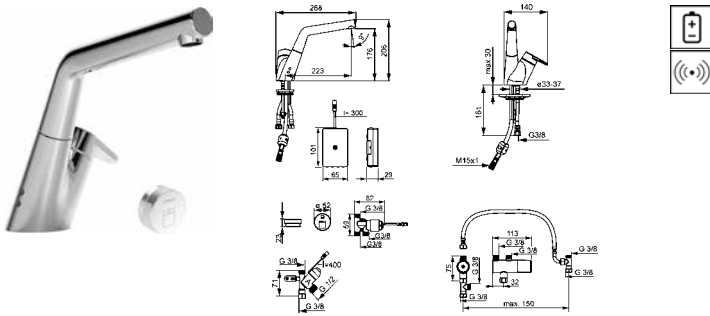
**Item-No.**  
chrome  
**5570 2203**

flow rate: 12 l/min, at 3 bar hydraulic pressure

- adjustable electronic function
- water current time adjustable from 4 to 60 seconds (preset: 6 seconds)
- cleaning mode
- connection with flexible pressure hoses
- contactless and manual operation possible

projection: 225 mm  
spout: swivelling spout 150°, can be set on 70°

# PRODUCT OVERVIEW



**HANSASIGNATUR**  
**one-hole hybrid sink mixer,**  
**DN 15, battery-operated**  
 extractable hand spray  
 electric shut-off valve

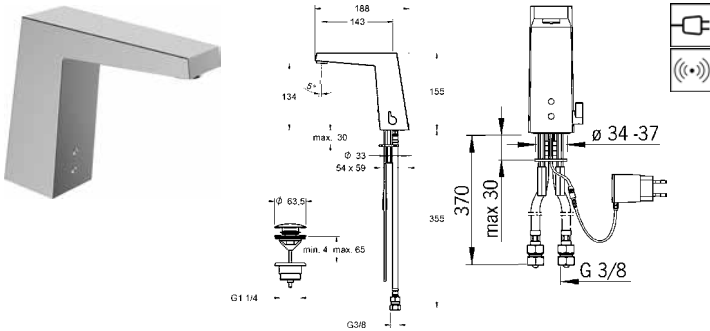
**Item-No.**  
 chrome  
**5571 2203**

flow rate: 12 l/min, at 3 bar hydraulic pressure

- adjustable electronic function
- water current time adjustable from 4 to 60 seconds (preset: 6 seconds)
- cleaning mode
- incl. HANSA Remote shut-off valve
- connection possible for hot or cold water
- mains supply 230 V, operating voltage 5 V
- connection with flexible pressure hoses
- contactless and manual operation possible

projection: 225 mm

spout: swivelling spout 150°, can be set on 70°



**HANSALOFT**  
**electronic basin mixer,**  
**DN 15, mains supply**  
 sensory operation (infrared)

**Item-No.**  
 chrome  
**5748 2201**

flow rate: 6 l/min, at 3 bar hydraulic pressure

- Fitting body: brass
- adjustable mix water temperature
- sensor parameters at factory optimally preset
- push-pop-up waste
- connection with flexible pressure hoses
- Plug-in power supply 230V/50-60 Hz, operative voltage 12 V
- power supply cable 1500 mm in length

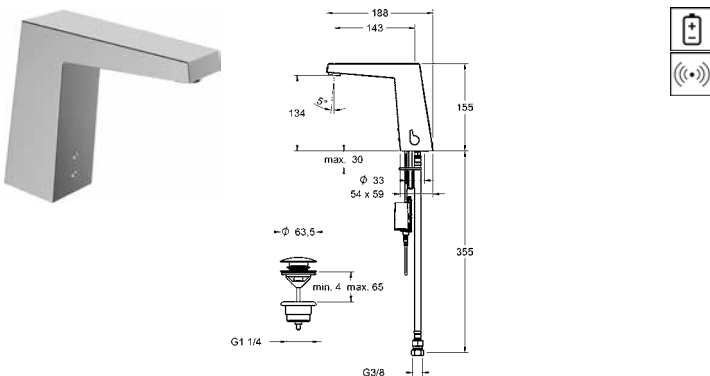
projection: 143 mm

operative voltage 12 V DC

alternative: suitable power supply 64990100

please order separately

DVGW: Certificate CW-6514CR0161



**HANSALOFT**  
**electronic basin mixer,**  
**DN 15, battery-operated**  
 sensory operation (infrared)

**Item-No.**  
 chrome  
**5749 2211**

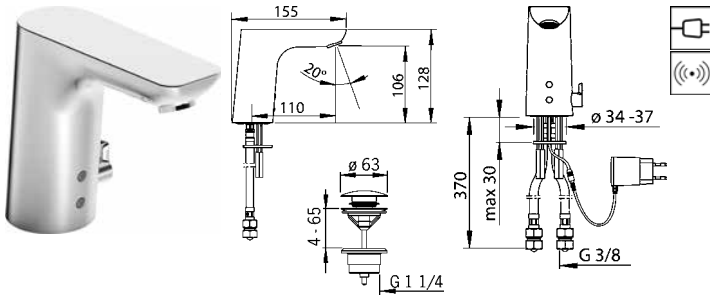
flow rate: 6 l/min, at 3 bar hydraulic pressure

- Fitting body: brass
- adjustable mix water temperature
- sensor parameters at factory optimally preset
- push-pop-up waste
- connection with flexible pressure hoses

projection: 143 mm

DVGW: Certificate CW-6514CR0161

# PRODUCT OVERVIEW



**HANSALIGNA**  
**electronic basin mixer,**  
**DN 15, mains supply**  
 sensory operation (infrared)

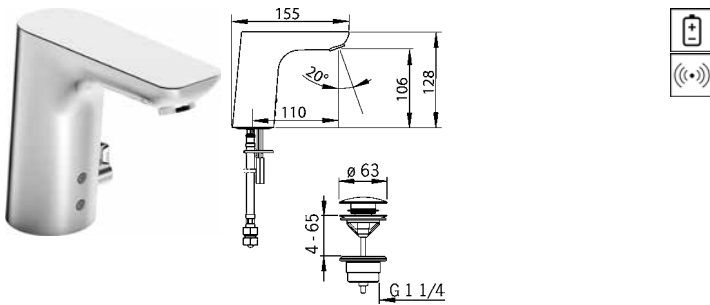
**Item-No.**  
 chrome  
**0614 2201**

P-IX (submitted)  
 flow rate: 6 l/min, at 3 bar hydraulic pressure

- Fitting body: brass
- adjustable mix water temperature
- sensor parameters at factory optimally preset
- push-pop-up waste
- connection with flexible pressure hoses
- Plug-in power supply 230V/50-60 Hz, operative voltage 12 V
- power supply cable 1500 mm in length

projection: 110 mm

operative voltage 12 V DC  
 alternative: suitable power supply 64990100  
 please order separately  
 DVGW: Certificate CW-6514CR0161



**HANSALIGNA**  
**electronic basin mixer,**  
**DN 15, battery-operated**  
 sensory operation (infrared)

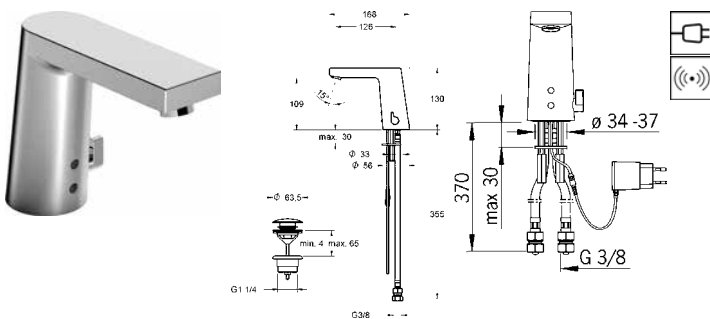
**Item-No.**  
 chrome  
**0615 2211**

P-IX (submitted)  
 flow rate: 6 l/min, at 3 bar hydraulic pressure

- Fitting body: brass
- adjustable mix water temperature
- sensor parameters at factory optimally preset
- push-pop-up waste
- connection with flexible pressure hoses

projection: 110 mm

DVGW: Certificate CW-6514CR0161



**HANSASTECLA**  
**electronic basin mixer,**  
**DN 15, mains supply**  
 sensory operation (infrared)

**Item-No.**  
 chrome  
**5712 2201**

P-IX (submitted)  
 flow rate: 6 l/min, at 3 bar hydraulic pressure

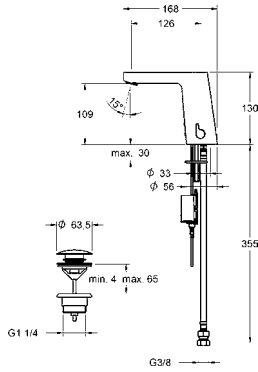
- Fitting body: brass
- adjustable mix water temperature
- sensor parameters at factory optimally preset
- push-pop-up waste
- connection with flexible pressure hoses
- Plug-in power supply 230V/50-60 Hz, operative voltage 12 V
- power supply cable 1500 mm in length

projection: 126 mm

operative voltage 12 V DC  
 alternative: suitable power supply 64990100  
 please order separately  
 DVGW: Certificate CW-6514CR0161



# PRODUCT OVERVIEW



**HANSASTELA**  
**electronic basin mixer,**  
**DN 15, battery-operated**  
 sensory operation (infrared)

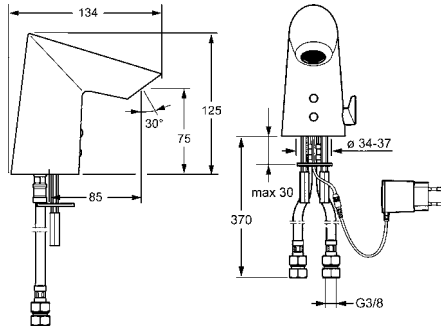
**Item-No.**  
 chrome  
**5716 2211**

P-IX (submitted)  
 flow rate: 6 l/min, at 3 bar hydraulic pressure

- Fitting body: brass
- adjustable mix water temperature
- sensor parameters at factory optimally preset
- push-pop-up waste
- connection with flexible pressure hoses

projection: 126 mm

DVGW: Certificate CW-6514CR0161



**HANSAFIT**  
**electronic basin mixer,**  
**DN 15, mains supply**  
 sensory operation (infrared)

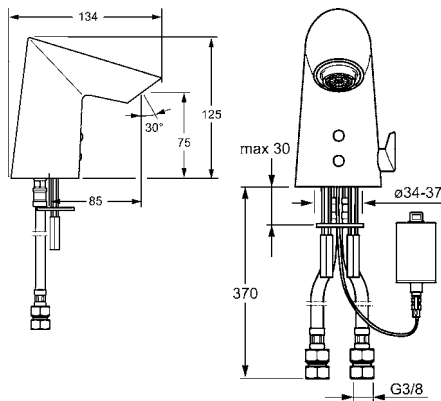
**Item-No.**  
 chrome  
**6541 2000**

flow rate: 5 l/min, at 3 bar hydraulic pressure

- adjustable mix water temperature
- CACHÉ® flow straightener with fitting wrench
- sensor parameters at factory optimally preset
- no forced flushing
- without pop-up waste
- flexible hoses
- fitting can be deactivated for cleaning, with the added cover
- mains supply 230 V/50-60 Hz, operating voltage 12 V
- power supply cable 1500 mm in length

projection: 85 mm

Push-pop-up waste 59913988 can be ordered separately  
 alternative: suitable power supply 64990100  
 please order separately  
 DVGW: Certificate CW-6514CN0469



**HANSAFIT**  
**electronic basin mixer,**  
**DN 15, battery-operated**  
 sensory operation (infrared)

**Item-No.**  
 chrome  
**6541 2210**

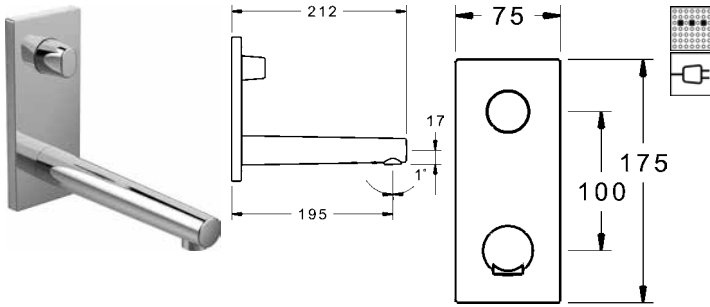
flow rate: 5 l/min, at 3 bar hydraulic pressure

- adjustable mix water temperature
- CACHÉ® flow straightener with fitting wrench
- sensor parameters at factory optimally preset
- no forced flushing
- without pop-up waste
- without draw-rod opening
- flexible hoses
- fitting can be deactivated for cleaning, with the added cover
- Faucet is GGT-approved - user test "good"

projection: 85 mm

Push-pop-up waste 59913988 can be ordered separately  
 DVGW: Certificate CW-6514CN0469

# PRODUCT OVERVIEW



**HANSASIGNATUR trim kit with function unit  
concealed electronic mixer, DN 15 (G1/2)  
mains supply  
suitable for HANSAMATRIX installation unit**  
with thermostatic temperature mixing device  
sensory operation (infrared)

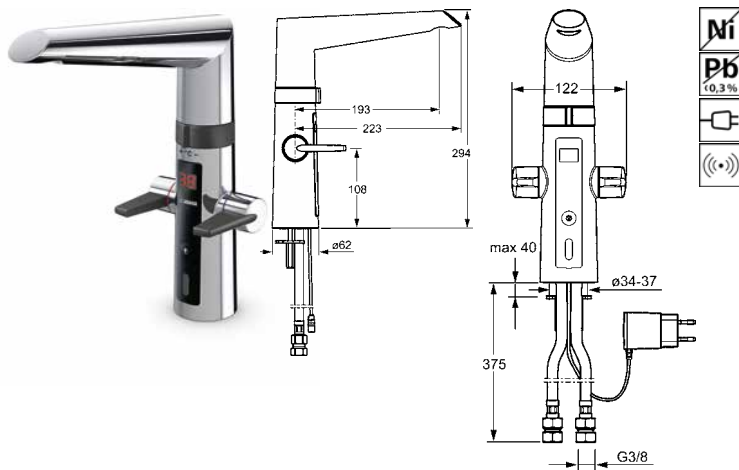
**Item-No.**  
chrome  
**4491 2010**

flow rate: 6 l/min, at 3 bar hydraulic pressure

- trim kit consisting of:
- Temperature control handle
- spout
- cannot be shortened
- wall rosette
- adjustable electronic function
- water flow time adjustable
- forced flushing 12/24/48/72 hours (factory setting: off)
- cleaning mode
- mains supply 230 V/50-60 Hz, operating voltage 12 V
- control unit

projection: 195 mm

suitable for concealed unit 4409 0000



**HANSAFIT Hybrid  
one-hole electronic sink mixer, DN 15**  
sensory operation (infrared)

**Item-No.**  
chrome  
**6523 2213**

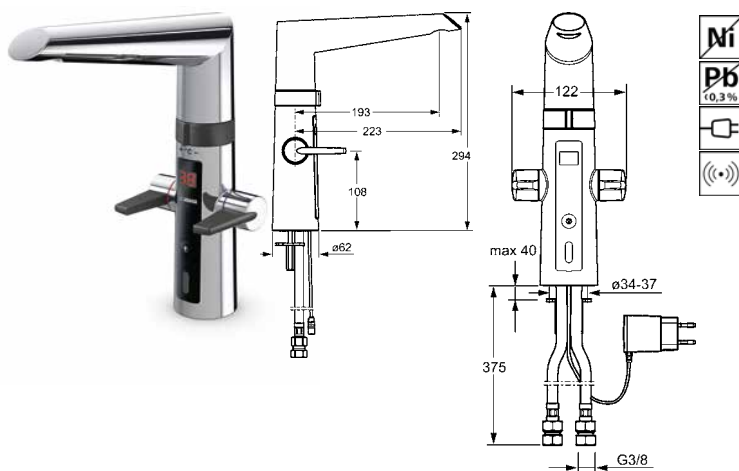
P-IX (submitted)

flow rate: 12 l/min, at 3 bar hydraulic pressure

- watercourse system without nickel coating
- Surfaces in contact with drinking water contain less than 0.3% lead.
- water temperature for the touchless function separate adjustable with the ring between fitting and spout
- touchless function, deactivatable
- adjustable electronic function
- temperature display with hot water warning
- connection with flexible pressure hoses
- power supply 230 V/50-60 Hz
- electric supply 5V DC

projection: 193 mm

spout: cast, 120° swivel range (delivery status)  
or alternative: 60° or 80°



**HANSAFIT Hybrid  
one-hole electronic sink mixer, DN 15**  
sensory operation (infrared)  
electric shut-off valve

**Item-No.**  
chrome  
**6524 2213**

P-IX (submitted)

flow rate: 12 l/min, at 3 bar hydraulic pressure

- watercourse system without nickel coating
- Surfaces in contact with drinking water contain less than 0.3% lead.
- water temperature for the touchless function separate adjustable with the ring between fitting and spout
- touchless function, deactivatable
- adjustable electronic function
- temperature display with hot water warning
- connection with flexible pressure hoses
- power supply 230 V/50-60 Hz
- electric supply 5V DC

projection: 193 mm

spout: cast, 120° swivel range (delivery status)  
or alternative: 60° or 80°

## PRODUCT OVERVIEW



**HANSA  
plug power supply**  
500 mA suitable fittings for HANSAELECTRA,  
HANSALOFT, HANSALIGNA and HANSASTECLA

- input 100-240 V / 50-60 Hz
- output 12 VDC (SELV)
- connection cable 1.5 m

**Item-No.**  
**6449 0100**

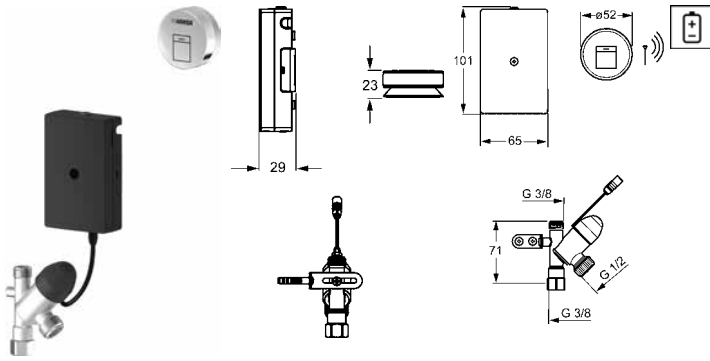


**HANSA  
concealed power supply**  
1A suitable fittings for HANSAELECTRA,  
HANSALOFT, HANSALIGNA and  
HANSASTECLA

- for max. 5 fittings
- input 230 V / 50-60 Hz
- output 12 VDC (SELV)

**Item-No.**  
**6499 0100**

# PRODUCT OVERVIEW



## HANSA remote appliance socket battery-operated

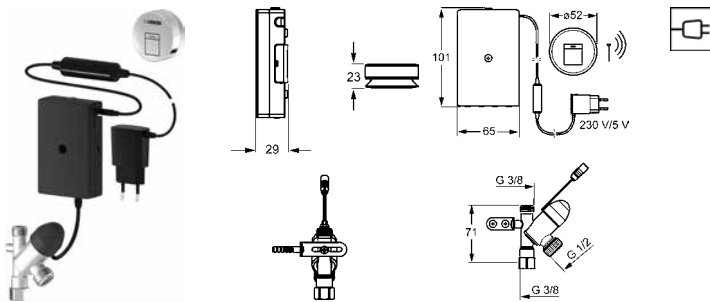
suitable for all one-hole single-lever basin  
and kitchen mixer

flow rate: 16.5 l/min, at 3 bar hydraulic pressure

- consisting of:  
HANSATIPTRONIK Flex pushbutton with LED indicator
- control unit
- remote appliance socket
- connection possible for hot or cold water
- opening time of the remote valve is preset of 3 h or 12 h
- In connection of fittings with copper pipes  
compression fitting is required
- compression fitting not included in delivery
- protected according to protection class IP 34
- suitable for shut-off valve for dishwashers and  
washing machines

### Item-No.

chrome  
**0259 0100**



## HANSA remote appliance socket mains supply

suitable for all one-hole single-lever basin  
and kitchen mixer

flow rate: 16.5 l/min, at 3 bar hydraulic pressure

- consisting of:  
HANSATIPTRONIK Flex pushbutton with LED indicator
- control unit
- remote appliance socket
- mains supply 230 V, operating voltage 5 V
- connection possible for hot or cold water
- opening time of the remote valve is preset of 3 h or 12 h
- In connection of fittings with copper pipes  
compression fitting is required
- compression fitting not included in delivery
- protected according to protection class IP 34
- suitable for shut-off valve for dishwashers and  
washing machines

### Item-No.

chrome  
**0259 0110**

# SAFETY AT THE PUSH OF A BUTTON: THE NEW HANSA REMOTE SHUT-OFF VALVE.



The innovative remote-controlled magnetic shut-off valve for the dishwasher or the washing machine makes everyday water use simpler, safer and convenient. Gently tap the Tiptronik-Flex push button to open the valve for 3 hours. The LED light indicator briefly lights up green as a signal. If the push button is pressed for longer, the valve remains open for 12 hours. Depending on how long, for example, the washing machine runs, the opening duration of the valve can be adjusted. After that, the valve closes automatically and disconnects the appliance safely from the water. The Tiptronik-Flex push button operates wirelessly and can be positioned anywhere in the kitchen. The series-independent shut-off valve can be combined with all kitchen fittings. It can be connected to both hot as well as cold water directly at the angle valve. A mains-powered and a battery-powered version is available.





HANSA – ALWAYS THERE FOR YOU.

**HANSA GERMANY**

HANSA Armaturen GmbH  
Head Office  
Sigmaringer Str. 107  
70567 Stuttgart  
Tel.: +49 711 1614 0  
Fax.: +49 711 1614 368  
Customer Service Centre  
Tel.: +49 711 1614 888  
Fax.: +49 711 1614 801  
info@hansa.com

**AQUAPUNKT**

Rediscover water.  
Visit us in Stuttgart.  
www.aquapunkt.com

**www.hansa.com**



a member of  orasgroup